

# P2

NEXT GENERATION OF WARMTH



TALLER WINDOW AND A  
V-CLASS FIRE WILL KEEP  
YOU WARM AND COZY.

**valor**  
FIREPLACES

# Why Choose

---

## Feel the heat.

All our gas fireplace radiate heat. Like feeling the sun on your skin. The best kind of heat there is.

## Heater-rated

We're rated with space heaters so we put Radiant Heat Technology into every fire. You can feel it.

## Works quietly.

We designed our gas fireplaces to move the heated air via natural convection —no need for a noisy blower.

## Stainless Steel burner

Our precision stainless steel burners don't rust, and create an enhanced flame and ember glow that produces radiant heat.

## Efficiency

Valor fireplaces are heater-rated. Our Radiant Zone Heating is up to 25% more efficient than central forced air systems.

P2 ON COVER:  
RICHMOND CAST FRONT 263RCB  
REFLECTIVE GLASS LINER 270RGL  
COALS 205CSK

# A Valor?

---

## Improving heat

Our exclusive *Secondary Heat Exchanger* and our aerodynamic firebox naturally improve convective heat—without a fan.

---

## Ceramic glass window

Valor's durable and robust ceramic glass window improves radiant performance by absorbing and distributing radiant heat.

---

## No power?

No problem. All Valor gas fireplaces run on 4 AA batteries as the primary source of power—not as back-up power like other brands. And you'll save money on your electrical bill.

---

## Outdoor-friendly.

All Valor gas fireplaces are rated for outdoors under a covered patio and use quality materials that exceed the requirements for outdoor use.

---

## Logs provide heat.

High definition, low mass fiber ceramic logs heat up and glow quickly. We harness the radiating heat from our logs, just like real logs.

---

## Built to last.

Our aluminized steel fireboxes handle high temperatures, delivering efficient radiant warmth. Our baked-on powder-coated paint offers a better texture and a more durable finish.

---

## Safety

We put our fires through rigorous safety testing in our in-house CSA approved lab.

We provide a screen with every fireplace to keep you and your loved ones safe.

---

## Design your own.

Visit the Valor Fireplace Design Center to design your very own Valor Fireplace today.



To find out more, visit [valorfireplaces.com/why-valor](http://valorfireplaces.com/why-valor)

# Fire Beds




**BIRCH**



**TRADITIONAL LOGS**



Our V-Class burner enhances our expertly crafted logs, designed as realistic-looking as possible—and engineered to harness radiant heat from the flames and glowing embers. Visit your local Valor dealer to see a fire, or for a video go to [valorfireplaces.com](http://valorfireplaces.com)



**WHAT IS A CLEAN INSTALL KIT?**  
This kit (left) allows you to tile or finish your wall right up to the edge of your fireplace for a clean finish—no front or backing plate required.

**CLEAN INSTALL KIT 230CIK  
DRIFTWOOD 205DWK  
REFLECTIVE GLASS LINER 270RGL**

### **DRIFTWOOD**



### **COALS**



Please Note: Printed images may vary from actual product. All product information is accurate at time of printing and is subject to change. For more information, visit [valorfireplaces.com](http://valorfireplaces.com)

# Liners

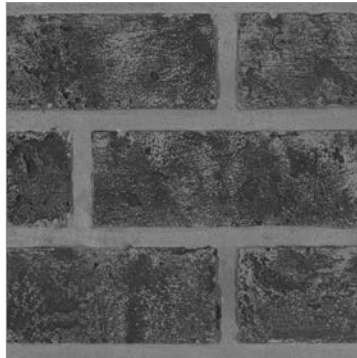


**LEDGEVIEW AGED STEEL FRONT  
WITH BACKING PLATE 246LFAS  
BIRCH 205BLK  
CHARCOAL BRICK LINER 265CBL**

Choose a firebox liner to complement the logs and front style you select as well as the style of your room.

Please note the tint of the ceramic glass window can warm the liner colors, especially when the fire is on. If possible, visit your local Valor dealer to see a sample in person.

**CHARCOAL BRICK LINER**



**PLAIN BLACK LINER**





**REFLECTIVE GLASS LINER**



# Fronts



**CLEARVIEW FRONT 245CFV  
REDUCED DEPTH BACKING PLATE 235SBPB1  
TRADITIONAL LOGS 205LSK  
PLAIN BLACK LINER 260PBL**

**LEDGEVIEW, BLACK  
(BACKING PLATE INCLUDED)**

**CLEAN INSTALL KIT**

These fronts are among our most popular: the Clean Install kit allows you to forego a front and backing plate for a minimalist design. The Ledgeview and Clearview offer a more transitional style.

See more examples online at [valorfireplaces.com/p2](http://valorfireplaces.com/p2)





**INSTALL INTO AN EXISTING FIREPLACE?**

Yes, our P2 works as an insert fireplace when you pair the optional Reduced Depth backing plate with our Clearview front.

Ask your dealer for details.

**LEDGEVIEW, AGED STEEL  
(BACKING PLATE INCLUDED)**



**CLEARVIEW FRONT,  
VINTAGE IRON  
WITH 26" BACKING PLATE**



**RICHMOND FRONT**



# Finishes

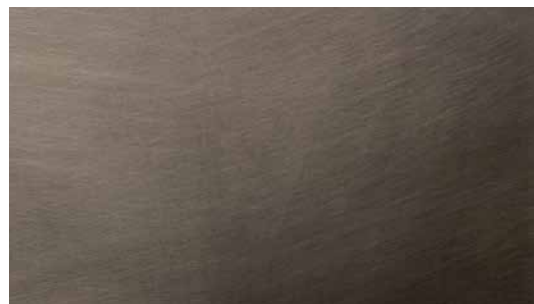


LEDGEVIEW BLACK FRONT +  
WITH BACKING PLATE 246LFB  
DRIFTWOOD 205DWK  
PLAIN BLACK LINER 260PBL

## AGED STEEL

All our rich, durable finishes are powder-coated, plated or, in the case of Aged Steel, a hand-rubbed, multi-layered finish for a beautiful, longlasting result.

If available, ask your dealer to see an example in person as colors may appear different in various lights. To see examples online, go to [valorfireplaces.com/fireplace-media](http://valorfireplaces.com/fireplace-media)

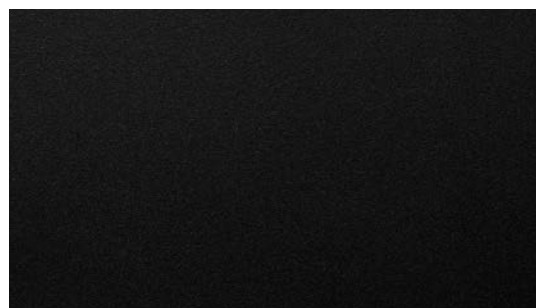




**VINTAGE IRON**



**BLACK**



# Remote

Child Proof your remote for safety and ease.

Accurately knows the current temperature of your room.

Set the timer to turn the fireplace off up to 9 hours ahead.

Set the temperature for specific times of the day.

Program your fireplace to turn on and off when you want at the temperature you want.



Standard with the P2, the Valor 10 interactive remote control has up-to-the-moment information on the state of your fireplace—such as temperature and other customizable settings. To find out more, go to [valorfireplaces.com/remote](http://valorfireplaces.com/remote)

Learn more about our remotes:



### TAKE COMPLETE CONTROL

Increase or decrease flame height to find the perfect ambiance.

Use the color wheel to find the ideal temperature setting.



### PROGRAM ON THE GO

Program days, times and temperature settings to match your lifestyle.

Set a countdown timer so your fireplace shuts off automatically.

### SAVE ON ENERGY COSTS

Save energy while enjoying a changing, realistic flame with ECO mode. Choose time and the percentage of energy saved is shown in the circle/leaf.

The Valor 10 remote pairs with the Valor 10 App so you can control your fireplace with your smartphone\*. To find out more, go to [valorfireplaces.com/valor10](http://valorfireplaces.com/valor10)

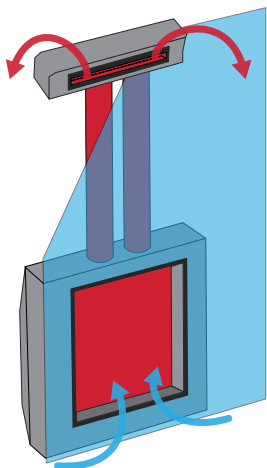
\*requires WiFi module, sold separately.



# HeatShift™



CLEARVIEW FRONT 245CFV  
BACKING PLATE 235BPB1  
PLAIN BLACK LINER 260PBL  
BIRCH 205BLK  
HEATSHIFT LDK12 + LDK13



## KEEPS WALL COOLER

Pioneered by Valor, our unique HeatShift System naturally circulates up to 125 cubic feet of convective heat per minute through hidden ducts and back into the room—avoiding surface areas above the fireplace.

## DESIGN FLEXIBILITY

Run standard finishing materials right up to the fireplace surround, including drywall, wood, tile and stone. Install mantels lower than usual at a one-to-one ratio of depth to height from the fireplace surround





Find out  
more:



#### **IMPROVES PERFORMANCE**

Harnessing convective warmth, up to 60% of fireplace heat rises and flows through HeatShift and back into the room. The remaining heat radiates from the fireplace, keeping you warm.

#### **NO ELECTRICITY REQUIRED**

HeatShift circulates heat naturally using gravity and Valor product ingenuity—no need for a fan or electricity. No power—no problem.

#### **CONSTRUCTION MADE EASY**

Unlike many competing products, Valor fully ducts HeatShift for clean, safe air quality. HeatShift is built and designed in North America for North American homes, meeting building code requirements.

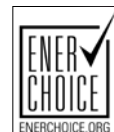
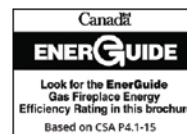
# Efficiency



CLEARVIEW FRONT 245CFV  
36" BACKING PLATE 235BPB2  
PLAIN BLACK LINER 260PBL  
TRADITIONAL LOGS 205LSK

BTU/HR MODEL	Fuel	Max. Input	Min. Input	Max. Output*	EnerGuide*
200AN	NG	20,000	9,500	14,600	68%
200AP	LPG	20,000	10,000	14,600	68%

\* EnerGuide Ratings and Outputs have been determined without a fan/blower, using the CSA P4.1-15 test method. Certified to ANSI Z21.88 / CSA 2.33 Vented Gas Fireplace Heater American National Standard. CGA - 2.17-91 Gas Fired Appliances for use at High Altitudes



# FRONTS AND BACKING PLATES



**CLEARVIEW**  
245CFV

This popular front is designed to sit on the hearth. Choose the backing plate that suits your installation.

**Front**  
22½" W x 27¾" T



**LEDGEVIEW**  
246LFB/246LFAS

This front looks just as great on the wall as it does sitting on the hearth. Backing plate included with front.



**CLEAN INSTALL KIT**  
230CIK

Simple and minimalist, this kit lets you tile or finish right up to it. No front or backing plate required.



**with Reduced Depth Backing Plate (for inserts)**  
26" W x 29½" T



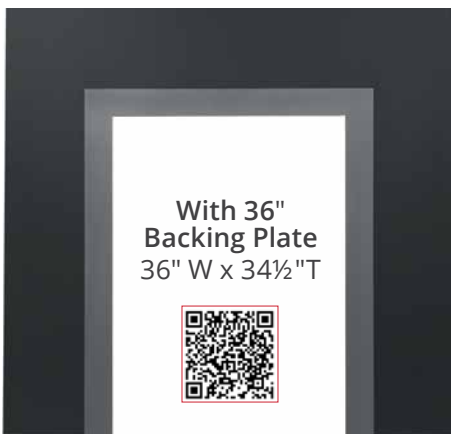
Always refer to the manual for complete installation instructions.



**RICHMOND**  
263RCB

We designed this elegant cast front to complement more hearths—classic or contemporary.

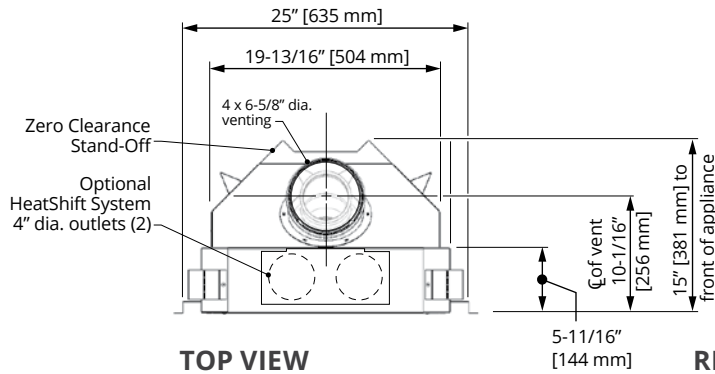
**With 36" Backing Plate**  
36" W x 34½" T



**Richmond Front**  
31¼" W x 31½" T



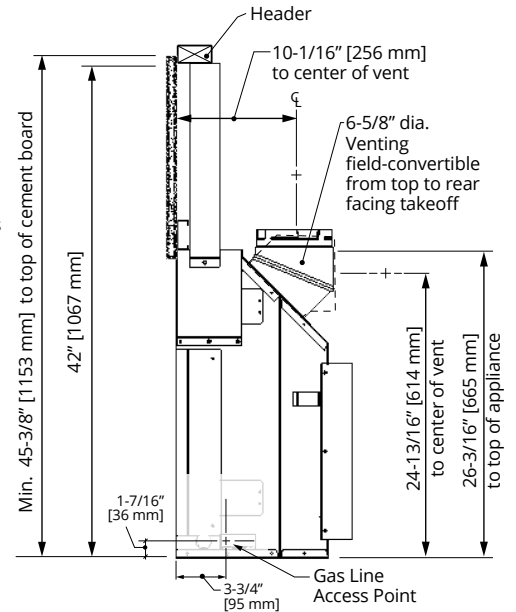
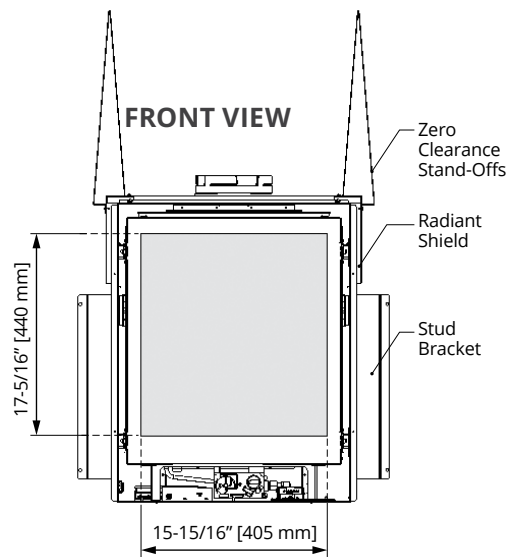
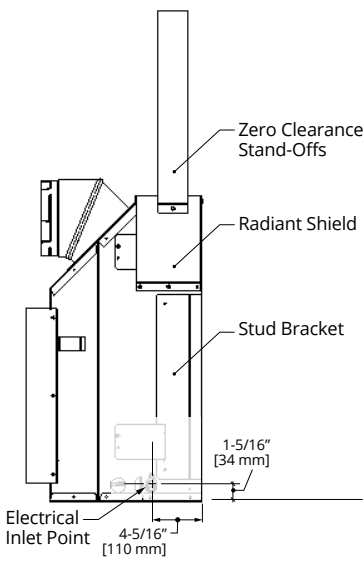
# DIMENSIONS



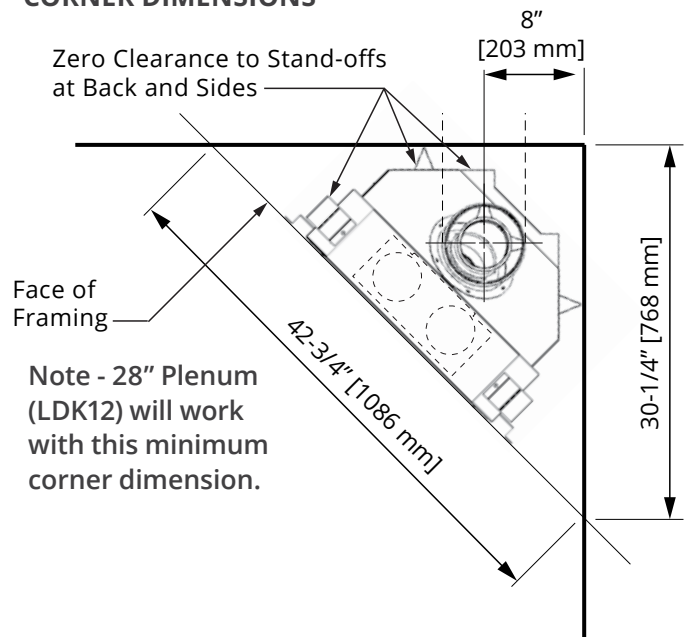
LEFT SIDE VIEW

TOP VIEW

RIGHT SIDE VIEW



## CORNER DIMENSIONS



Always refer to the manual for complete installation instructions:

HOMEOWNER MANUAL



INSTALLATION MANUAL



# COMPONENTS

## DIRECT VENT ENGINES

Natural Gas	200AN
Propane	200AP

## FIRE BEDS

Birch	205BLK
Driftwood	205DWK
Traditional Logs	205LSK
Coals	205CSK

## LINERS

Plain Black	260PBL
Charcoal Brick	265CBL
Reflective Glass	270RGL

## FRONTS

Clean Install Kit	230CIK
Clearview, 3-sided, Vintage Iron	245CFV +
Ledgeview, 4-sided, Black	246LFB
Ledgeview, 4-sided, Aged Steel	246LFAS
Richmond, Cast	263RCB

\*2" return; reduced depth.

## OPTIONAL

Wall Switch	1265WSK
Remote Battery and Wall Switch	RBWSK
Outdoor Conversion Kit	GV60CKO
Circulating Fan	255CFK
Wifi Kit	GV60WiFi
18" HeatShift plenum + finishing frame	LDK12 + LDK13

### WARNING

This product can expose you to chemicals including Benzene, which is known to the State of California to cause cancer and birth defects or other reproductive harm.

For more information go to [www.P65Warnings.ca.gov](http://www.P65Warnings.ca.gov)

## CLEARVIEW BACKING PLATES

- |  |          |
|--|----------|
| <input type="radio"/> 3-sided backing plate, 26" W               | 235BPB1  |
| <input type="radio"/> 3-sided backing plate, 36" W               | 235BPB2  |
| <input type="radio"/> 3-sided backing plate, 26" W, for inserts* | 235SBPB1 |



Note: Natural gas, in its original state, contains Benzene.



CLEAN INSTALL KIT 230CIK  
REFLECTIVE GLASS LINER 270RGL  
BIRCH 205BLK

BRP2T25E DEC

**valor**  
FIREPLACES