

Installation Manual



HORIZON

Direct Vent Zero Clearance
Gas Fireplace
natural gas 534VN
propane gas 534VP

Installer: Place model/serial number here.

Installer: Leave this manual with the appliance.
Consumer: Retain this manual for future reference.

⚠ WARNING:
FIRE OR EXPLOSION HAZARD

Failure to follow safety warnings exactly could result in serious injury, death, or property damage.

Do not store or use gasoline or other flammable vapors and liquids in the vicinity of this or any other appliance.

WHAT TO DO IF YOU SMELL GAS

- Do not try to light any appliance.

- Do not touch any electrical switch; do not use any phone in your building.
- Leave the building immediately.
- Immediately call your gas supplier from a neighbor's phone. Follow the gas supplier's instructions.
- If you cannot reach your gas supplier, call the fire department.

Installation and service must be performed by a qualified installer, service agency or the gas supplier.

⚠ DANGER



Hot glass will cause burns.

Do not touch glass until cooled.

Never allow children to touch glass.

A barrier designed to reduce the risk of burns from the hot viewing glass is provided with this appliance and must be installed for the protection of children and other at-risk individuals.

This appliance may be installed in an after-market permanently located, manufactured (mobile) home where not prohibited by local codes. This appliance is only for use with the type of gas indicated on the rating plate. This appliance is not convertible for use with other gases, unless a certified kit is used.

INSTALLER: Leave this manual with the appliance.
CONSUMER: Retain this manual for future reference.

Massachusetts:

The piping and final gas connection must be performed by a licensed plumber or gas fitter in the State of Massachusetts. Also, see Carbon Monoxide Detector requirements, page 52.

⚠ WARNING

This product can expose you to chemicals including Benzene, which is known to the State of California to cause cancer and birth defects or other reproductive harm. For more information go to www.P65Warnings.ca.gov.

Note: Natural gas, in its original state, contains Benzene.

This manual contains instructions to install the **ENGINE ONLY**. A trim kit is **REQUIRED** to complete the installation. A barrier screen is provided with the trim kit. **Refer to the manual supplied with the trim for installation.**

This appliance is a domestic room-heating appliance. It must not be used for any other purposes such as drying clothes, etc.

This appliance is suitable for installation in a bedroom or bed sitting room.

Ce guide est disponible en français sur demande.



We recommend a US Certified National Fireplace Institute (NFI) specialist install our gas hearth products.



The information contained in this manual is believed to be correct at the time of printing. Miles Industries Ltd. reserves the right to change or modify any information or specifications without notice. Miles Industries Ltd. grants no warranty, implied or stated, for the installation or maintenance of your heater, and assumes no responsibility for any consequential damage(s).

© Copyright Miles Industries Ltd., 2026. All rights reserved.
Designed and manufactured for Miles Industries Ltd.

Welcome to Valor®

This appliance has been professionally installed by:

Dealer Name: _____

Phone: _____

Please read this manual BEFORE installing and operating this appliance.

Fireplace Safety	4
Specifications	6
Kits & Accessories	7
Approved Venting Components	8
Dimensions & Clearances	10
Location	11
Planning	12
Before Installing.....	12
Overview	13
Framing.....	14
Wall Finish	15
Venting	17
Overview	17
Co-Axial	18
Typical Co-Axial Venting Components.....	18
Rear Vent—No Vertical Rise	19
Horizontal Vent Termination Location.....	20
Venting Configurations—With Vertical Rise	21
Venting Charts	22
Co-Axial Vertical Installations	23
Restrictor Settings	24
Vent Conversion	25
Applications.....	25
Existing Fireplace Preparation	25
Co-Linear	26
Complete Installation Into an Existing Fireplace...26	
Installing Into Existing Fireplace with 720SWK.....27	
Partial Installation Into an Existing Fireplace	28
Installation Into an Adjacent Chimney.....29	
Typical Co-Linear Venting Components	30
Co-Axial Flex with 590CFA & 590FVK2	31

Appliance Preparation	33
Window & Vent Outlet	33
Heat Shield & Stand-offs	34
Restrictor Installation	35
Installation	36
Appliance into Framing.....	36
Gas Supply.....	37
Liner Panels	38
Fuel Beds	39
Traditional Log Set MF28VLSK.....	39
Driftwood Kit MF28VDWK	41
Birch Logs MF28VBLK.....	44
Refit & Check Window	46
Battery Holder	47
Remote Control Pairing	48
Burner aeration	49
Accessories	50
Install Front, Trim and Barrier Screen.....	50
Install Handset Wall Holder	50
Wiring Diagram	51
Commonwealth of Massachusetts	52
Appendix A – Lighting Instructions Plate	53
Appendix B – Remote Control Operation	54
Appendix C – Spare Parts	58

Fireplace Safety

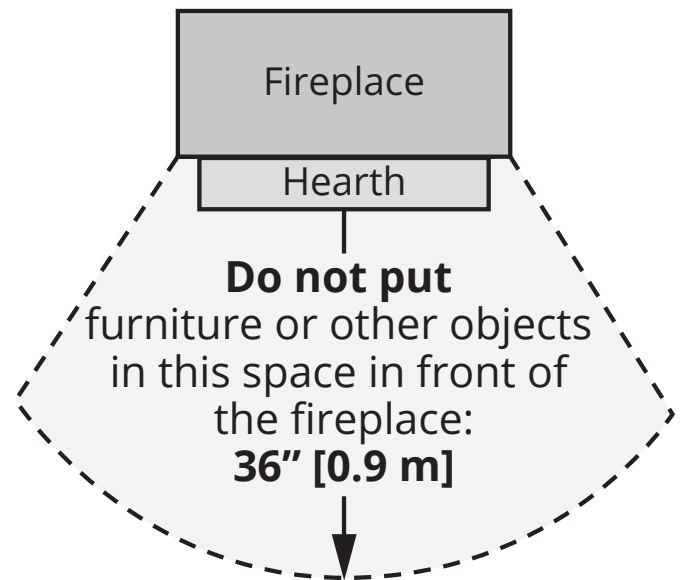
This manual contains very important information about the safe installation and operation of the fireplace. Read and understand all instructions carefully before installing and operating the fireplace. Failure to follow these instructions may result in possible fire hazard and will void the warranty.

Replacement manuals are available by contacting the Valor Customer Service at 1-800-468-2567, or by visiting valorfireplaces.com.

WARNING: Extremely Hot!

Heat and flammability

- Some parts of the fireplace are extremely hot, particularly the glass windows. Use the barrier screens provided or a gate to reduce the risk of severe burns.
- The glass windows can exceed 500°F at full capacity.
- Always keep the appliance clear and free from combustible materials, gasoline, and other flammable vapors and liquids.
- Be aware of hot wall surfaces! The walls directly above the fireplace can get very hot when the fireplace heats. Although safe, it may reach temperatures in excess of 200°F (93°C) depending on choice of optional accessories. Do not touch!
- Be aware of hot hearth/floor surfaces! Any projections directly around the fireplace can get very hot when the fireplace heats. Although safe, they may reach temperatures in excess of 200°F (93°C) depending on elevation of hearth. Be careful of touching these! Temperature of projection surfaces will be reduced when barrier screens are installed.
- Some materials or items, although safe, may discolor, shrink, warp, crack, peel, and so on because of the heat produced by the fireplace. Avoid placing candles, paintings, photos and other combustible objects sensitive to heat or furniture within 36 inches (0.9 m) around the fireplace.
- Solid wood flooring in front of the fireplace (if allowed) may shrink during the heating season due to heat.
- Due to its high temperatures, the appliance should be located out of traffic areas and away from furniture and draperies.
- Clothing or flammable material should not be placed on or near the appliance.



Barrier Screen and Safety

- A barrier designed to reduce the risk of burns from the hot viewing glass is provided with this appliance and shall be installed for the protection of children and other at-risk individuals.
- Children and adults should be alerted to the hazards of high surface temperature and should stay away to avoid burns or clothing ignition.
- Young children should be carefully supervised when they are in the same room as the appliance. Toddlers, young children, and others may be susceptible to accidental contact burns. A physical barrier is recommended if there are at-risk individuals in the house. To restrict access to a fireplace or stove, install an adjustable safety gate to keep toddlers, young children, and other at-risk individuals out of the room and away from hot surfaces.
- Any safety screen, guard, or barrier removed for servicing an appliance must be replaced prior to operating the appliance.

Fireplace Safety

Glass windows

WARNING

Do not operate this appliance with the glass front removed, cracked, or broken.

Do not strike or slam the glass front.

Replacement of the glass front should be performed by a licensed or qualified service person.

- The glass front assemblies must be in place and sealed before the unit can be placed into safe operation.
- The glass front assemblies must only be replaced as complete units, as supplied by the fireplace manufacturer. No substitute material may be used.
- Do not use abrasive cleaners on the glass front assemblies. Do not attempt to clean the glass when it is hot.

Venting

- This unit must be used with a vent system as described in this manual. No other vent system or components may be used.
- Never obstruct the flow of combustion and ventilation air. Keep the front of the appliance clear of all obstacles and materials for servicing and proper operation.
- This gas fireplace and vent assembly must be vented directly to the outside and must never be attached to a chimney serving a separate solid fuel burning appliance. Each gas appliance must use a separate vent system. Common vent systems are prohibited.

Intended use

- This appliance is designed and approved as a supplemental heater and provides the potential for most energy conservation when used while attended. The use of an alternate primary heat source is advisable.
- This unit is not for use with solid fuel.
- Do not use this heater as a temporary source of heat during construction.

Installation and Servicing

- Installation and repair should be done by a qualified service person. The appliance should be inspected before use and at least annually by a professional service person. More frequent cleaning might be required due to excessive lint from carpeting, bedding material, et cetera. It is imperative that control compartments, burners, and circulating air passageways of the appliance be kept clean.
- Do not use this appliance if any part has been under water. Immediately call a qualified service technician to inspect the appliance and to replace any part of the control system and any gas control that has been under water.

Specifications

Approval & Codes

This appliance is certified to ANSI Z21.88/CSA 2.33 American National Standard / CSA Standard for Vented Gas Fireplace Heaters for use in Canada and USA, and to CGA 2.17-M91 High Altitude Standard in Canada. This appliance is for direct vent installations.

This appliance complies with CSA P.4.1-15 Testing method for measuring annual fireplace efficiencies.

The installation must conform to local codes or, in the absence of local codes, with the National Fuel Gas Code, ANSI Z223.1/NFPA 54 or the Natural Gas and Propane Installation Code CAN/CGA-B149.1. Only qualified licensed or trained personnel should install this appliance.

This appliance must be electrically grounded in accordance with local codes, or, in the absence of local codes, with the National Electrical Code, ANSI/NFPA 70 or the Canadian Electrical Code, CSA C22.1.

Ratings

Model	534VN	534VP
Gas	Natural	Propane
Altitude (Ft.)*	0-4,500 feet*	
Input Maximum (Btu/h)	24,000	23,500
Input Minimum (Btu/h)	12,500	13,900
Manifold Pressure (in w.c.)	3.5"	10,0"
Minimum Supply Pressure (in w.c.)	5"	11"
Maximum Supply Pressure (in w.c.)	10"	14"
Main Burner Orifice Marking	#42 DMS	#54 DMS
Pilot Injector Marking	BL22N	BL14LP
Min. Rate By-Pass Screw	175	125

*High Altitude Installations

Input ratings are shown in BTU per hour and are certified without deration for elevations up to 4,500 feet (1,370 m) above sea level.

For elevations above 4,500 feet (1,370 m) in USA, installations must be in accordance with the current ANSI Z223.1 and/or local codes having jurisdiction. Heating value of gas in some areas is reduced to compensate for elevation—consult your local gas utility to confirm.

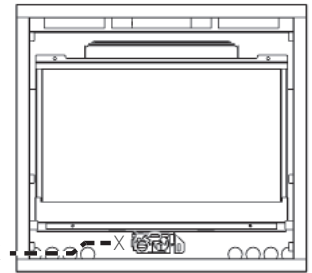
For installations at elevations above 4,500 feet (1,370 m) in Canada, please consult provincial and/or local authorities having jurisdiction.

Supply Gas

Heater engine 534VN is used with natural gas.

Heater engine 534VP is used with propane gas.

The supply pressure must be between the limits shown in the Ratings section.



The supply connection is 3/8" NPT. The opening of the gas supply line is at the left side of the appliance.

Venting Options

Co-axial direct vent installations (solid piping)

A list of all approved venting accessories can be found in section *Approved Venting Components* pages 8–9 in this manual.

Note: An 817VAK Vent Adapter is required in all cases.

Co-linear direct vent installations (flexible piping)

Converts the appliance outlet collars to accept two 3-inch diameter flex liners for installation into existing solid-fuel burning fireplaces and chimneys. Requires a co-linear adapter at the appliance and either a co-linear terminal or co-linear-to-co-axial adapter and terminal at the top of the chimney. A list of approved venting accessories can be found in section *Approved Venting Components* pages 8–9 in this manual.

Gas Conversion

The 534V fireplace is offered with natural gas or propane gas. It can be converted from one gas to the other. See installation manual supplied with the gas conversion kit for more information.

Outdoor Conversion Kit

The 534V model is supplied standard for indoor applications and may be adapted for installation in specific "outdoor" applications protected from weather as defined in the GV60CKO Outdoor Conversion Kit manual.



WARNING

NO ELECTRICAL CONNECTION ALLOWED for any outdoor installation!

Kits & Accessories

Required Kits

Fuel Beds (choose one)		
MF28VLSK	Traditional Log Set	
MF28VBLK	Birch Log Set	
MF28VDWK	Driftwood Kit	
Liner Panels (choose one)		
621VRL	Valor Red Brick Liners	
620FBL	Fluted Black Liners	
Fronts (choose one)		
602CFB	Traditional Cast Front	4003294
610FVI	FenderFire Double Door Front	doors
645CFV	Clearview Front	4004875
672MBF	Matt Black Front	4004645
663LSPW	Landscape Surround Pewter Front	4012462
Approved Venting Components		
See next pages for approved venting components.		

Optional Accessories

Gas Conversion Kits	
534VPGK	Conversion to propane gas
534VNGK	Conversion to natural gas
Other Accessories	
GV60CKO*	Outdoor Fireplace Conversion Kit
755CFK*	Circulating Fan Kit
1265WSK	Wall Switch Kit
RBWSK	Remote Battery & Wall Switch Kit
Hearth Gate	Hearth gates such as Cardinal's VersaGates are available at retail stores carrying safety products for children.




WARNING

*** NO ELECTRICAL CONNECTION ALLOWED for any outdoor installation!**

Information accurate at the time of printing and subject to change without notice.

Approved Venting Components

Approved Direct Vent Suppliers for Valor Models 530 and 534							
		Venting Parts Code / availability by Manufacturer					
		DURA-VENT	SELKIRK	ICC EXCEL DIRECT	MILES INDUSTRIES	BDM	
Termination Caps	Horizontal	Standard Co-axial	46DVA-HC	4DT-HC	TM-4HT	658DVK2	DVR6-HCP
		Deluxe Co-axial	—	—	TM-4RHT	—	DVR6-HC
		High Wind Co-axial	—	—	—	—	—
		Co-linear	—	—	—	720SWK	—
	Vertical	Standard Co-axial	46DVA-VC	4DT-VT	—	—	DVR6-VCH DVR6-VCSEB
		High Wind Co-axial	46DVA-VCH	—	TM-4SVT	—	—
		Extended Co-axial	46DVA-VCE	—	—	—	—
		Co-linear	46DVA-CL33	—	TM-IVT	559CLT	940033B
			46DVA-CL33H				940033HWS
			46DVA-33P				940033RD
Snorkel, 14" Rise	46DVA-SNK14	4DT-ST14	TM-4ST14	—	DVR6-SNK14		
Snorkel, 36" Rise	46DVA-SNK36	4DT-ST36	TM-4ST36	—	DVR6-SNK36		
Vent Adapters / Couplers	Universal Adapter 3" Flex Coupler	2150	—	TM-CFAA3	—	95090390	
	Valor Adapter	817VAK	—	TM-4AA2	—	—	
	Adapter for Sidewall Terminal MTO-4 or MTO-4F	—	—	—	DVA-M4/7 w/DuraVent venting only	—	
	Co-linear Flex Connector	46DVA-ADF	—	—	—	—	
	Co-axial-to-Co-linear Adapter	46DVA-GCL 46DVA-CLAA	—	TM-4CAA	556CLA	DVR6-A33	
	Co-linear-to-Co-axial Adapter	46DVA-GK 46DVA-CLTA	—	TM-4CTA	—	—	
	Co-axial-to-Co-axial flex Adapter	—	—	—	590CFA (5" x 3")	—	
DV to B-Vent Adapter	—	—	—	DVA5BV	—		
Aluminum Flexible Liner	3" diameter	NOTE: 2-ply liner approved to CAN/ULC S635 suitable for venting gas appliances. As manufactured by Z-Flex, Flexmasters or others.					
		2280 Series	AF3-35L	TM-ALK33 TM-ALT33	590FVK2 (5" x 3" kit)	952703	
Adjustable Pipe Length and Pipe Extensions 4" x 6-5/8"	Galvanized or Black	46DVA-08A 46DVA-08AB (3" to 7")	—	—	—	DVR6-08A DVR6-08AB	
	Galvanized or Black	46DVA-16A 46DVA-16AB (3" to 14-1/2")	—	TC-4DLS1 TC-4DLS1B	—	DVR6-16A DVR6-16AB	
	Galvanized or Black	46DVA-17TA 46DVA-17TAB (11" to 17")	—	TC-4DLS2 TC-4DLS2B (1-7/8" – 21")	—	—	
	Galvanized or Black	46DVA-24TA 46DVA-24TAB (17" to 24")	—	TC-4DLA30 TC-DLA30B (16.5" – 29")	—	—	
	Co-axial Flex	46DVA-36FF 46DVA-60FF 46DVA-120FF	—	—	—	—	
DV Elbows	30°	Galvanized	46DVA-E30	—	—	—	
	45°	Galvanized	46DVA-E45 (swivel)	4DT-EL45	TE-4DE45	—	DVR6-E45
		Black	46DVA-E45B (swivel)	4DT-EL45(B)	TE-4DE45B	—	DVR6-E45B
	60°	Galvanized	46DVA-E60	—	—	—	
	90°	Galvanized	46DVA-E90 (swivel)	4DT-EL90	TE-4DE90	—	DVR6-E90
Black		46DAV-E90B (swivel)	4DT-EL90(B)	TE-4DE90B	—	DVR6-E90B	

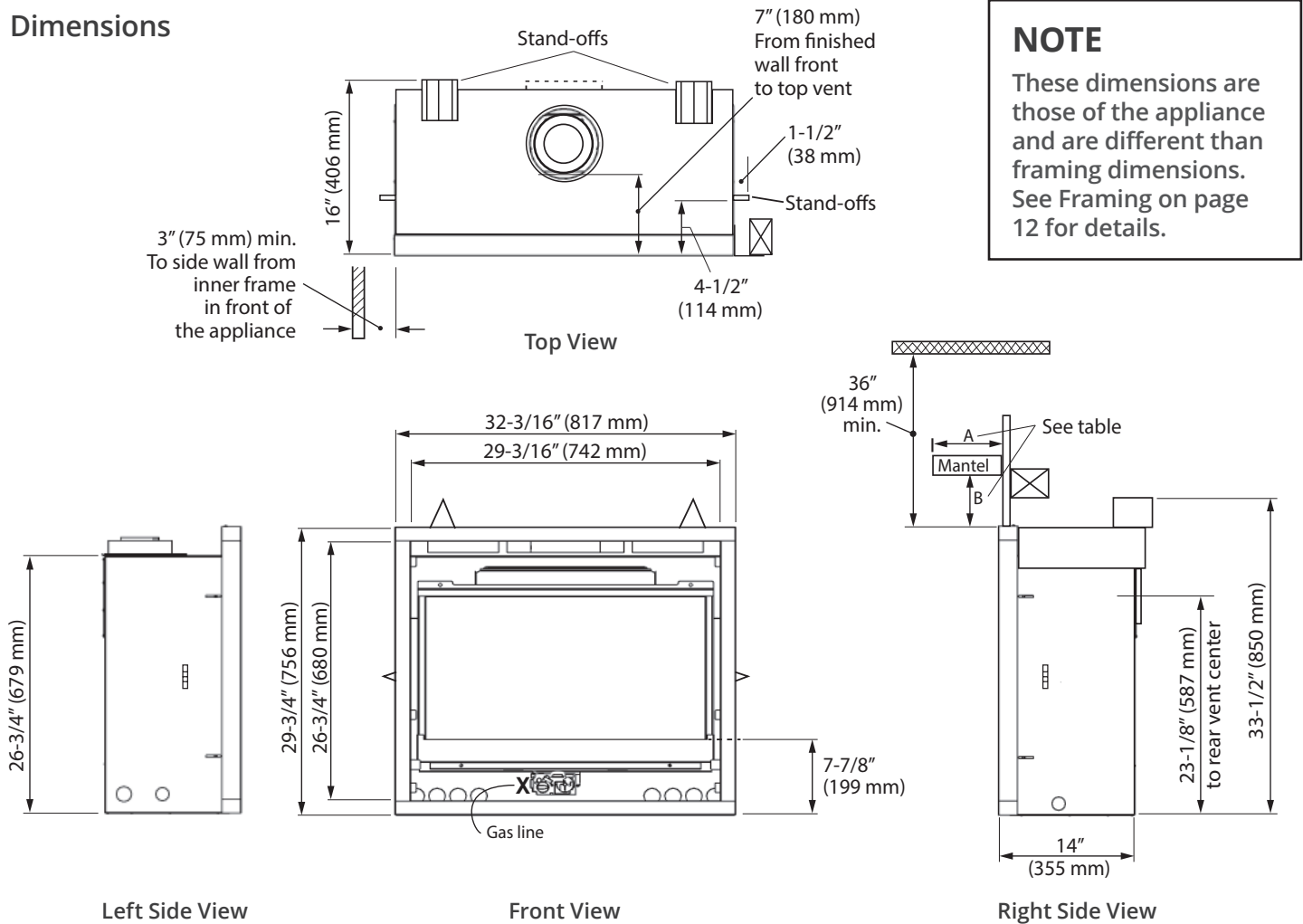
Approved Venting Components

Venting Parts Description			Venting Parts Code / availability by Manufacturer				
			DURA-VENT	SELKIRK	ICC EXCEL DIRECT	MILES INDUSTRIES	BDM
Pipes 4" x 6-5/8" (ID x OD)	6" long	Galvanized	46DVA-06	4DT-06	TC-4DL6	—	DVR6-06
		Black	46DVA-06B	4DT-06(B)	TC-4DL6B		DVR6-06B
	7" long	Galvanized	—	—	—	—	—
		Black	—	—	—		—
	9" long	Galvanized	46DVA-09	4DT-09	TC-4DL9	—	DVR6-09
		Black	46DVA-09B	4DT-09(B)	TC-4DL9B		DVR6-09B
	12" long	Galvanized	46DVA-12	4DT-12	TC-4DL1	—	DVR6-12
		Black	46DVA-12B	4DT-12(B)	TC-4DL1B		DVR6-12B
	18" long	Galvanized	46DVA-18	4DT-18	—	—	DVR6-18
		Black	46DVA-18B	4DT-18(B)			DVR6-18B
	24" long	Galvanized	46DVA-24	4DT-24	TC-4DL2	—	DVR6-24
		Black	46DVA-24B	4DT-24(B)	TC-4DL2B		DVR6-24B
	36" long	Galvanized	46DVA-36	4DT-36	TC-4DL3	—	DVR6-36
		Black	46DVA-36B	4DT-36(B)	TC-4DL3B		DVR6-36B
	48" long	Galvanized	46DVA-48	4DT-48	TC-4DL4	—	DVR6-48
		Black	46DVA-48B	4DT-48(B)	TC-4DL4B		DVR6-48B
Flashings	Roof Flashing 0/12-6/12		46DVA-F6	4DT-AF6	TF-4FA	—	DVR6-AF012
	Roof Flashing 7/12-12/12		46DVA-F12	4DT-AF12	TF-4FB	—	DVR6-AF712
	Flat Roof Flashing		46DVA-FF	—	TF-4F	559FSK	DVR6-TCF
	Masonry Flashing		—	—	TF-4MF	—	—
	New Siding Flashing		—	—	—	658NSFK	—
Various Venting System Parts	Wall Thimble		46DVA-WT	4DT-WT1	TM-4WT	—	DVR6-WTU
	Storm Collar		46DVA-SC	4DT-SC	TM-SC	—	DVT68-SC
	Decorative Plate		46DVA-DC	—	TM-4TR TM-4TP	—	DVR6-DC
	Ceiling Support	Cathedral	46DVA-CS	4DT-CCS	TM-4SS	—	DVR6-CS
		Regular	—	4DT-CS	—	—	—
	Ceiling Firestop		46DVA-FS	4DT-FS	TM-4RDS	—	DVR6-CFS
					TM-CS		
	Attic Radiation Shield / Firestop		46DVA-IS	ADT-41S	TM-4AS	—	DVR6-AIS
	Wall Strap		46DVA-WS	4DTWSB	TM-WS	—	DVR6-WS
	Vinyl Siding Standoff		46DVA-VSS	4DT-VSS (before siding) 4DT-VSSB (after siding)	TM-VSS	—	DVR6-VSS
Elbow Strap / Offset Support		46DVA-ES	4DT-OS	TM-OS	—	DVR6-ES	
Terminal Guard		46DVA-WG	—	TM-HTS	845TG	DVR6-SHRD	
				TM-RHTS	658TG		

- Notes:**
1. All listed above co-axial pipes and fittings require Valor 817VAK Adapter Kit to fit Valor's smooth collars (Valor adapter 4DSC-V by American Metal Products may also be used) on 530VN/VP and 534 models.
 2. Follow instructions supplied with each manufacturer's components.
 3. Unless otherwise specified, all the parts and assemblies from the above table are to be used with 4" x 6-5/8" pipes.
 4. Do not mix components from different vent manufacturers, except those from Miles Industries which are approved to use with other manufacturer's.

Dimensions & Clearances

Dimensions



Clearances—Mantel or Shelf

With 602, 610, 645, 672 Fronts

Mantel depth "A"	1" [25 mm]	2" [51 mm]	3" [76 mm]	4"-5" [102-127 mm]	6" [152 mm]	7" [178 mm]	max. 8"-12" max. [203-305 mm]
Mantel clearance "B"	7" [178 mm]	8" [203 mm]	9" [229 mm]	10" [254 mm]	11" [279 mm]	12" [305 mm]	14" [356 mm]

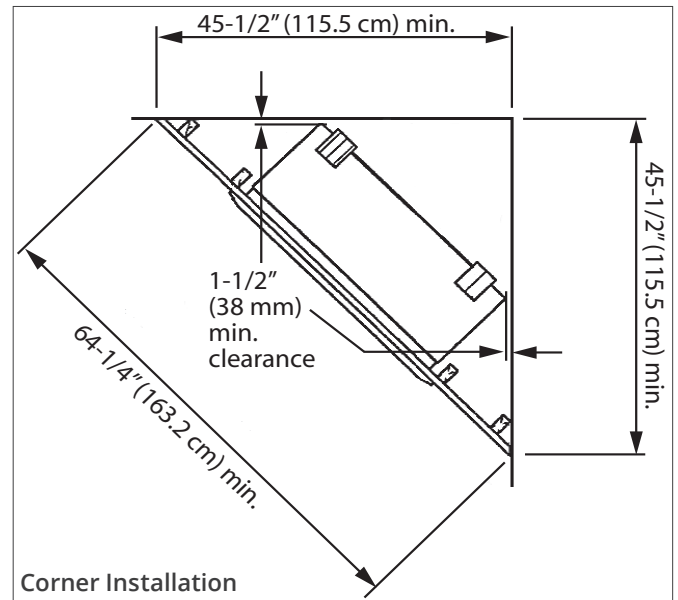
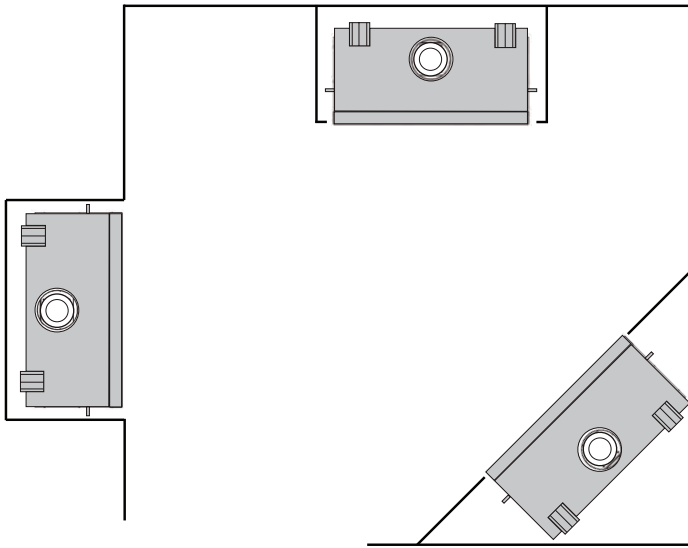
With 663LS Front

Mantel depth "A"	2" [51 mm]	3" [76 mm]	4"-5" [102-127 mm]	6" [152 mm]	7" [178 mm]	max. 8"-12" max. [203-305 mm]
Mantel clearance "B"	12" [305 mm]	13" [330 mm]	14" [356 mm]	15" [381 mm]	16" [407 mm]	18" [457 mm]

NOTE

The 663LS front requires MORE CLEARANCE than other fronts!

Location



Fronts and Trims

For fronts and trims dimensions, refer to instructions provided with each kit.

Floor/Hearth

This appliance is approved for installation directly on combustible material such as plywood and so on. Vinyl, carpet, and soft flooring require sheet metal extending the whole width and depth under the appliance.

This appliance does not require a hearth. Combustible flooring may extend up to the front of the unit.

Planning

Before Installing



Attention

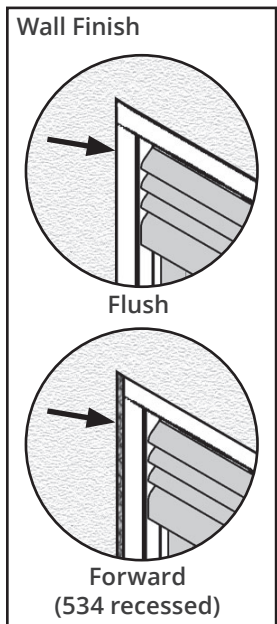
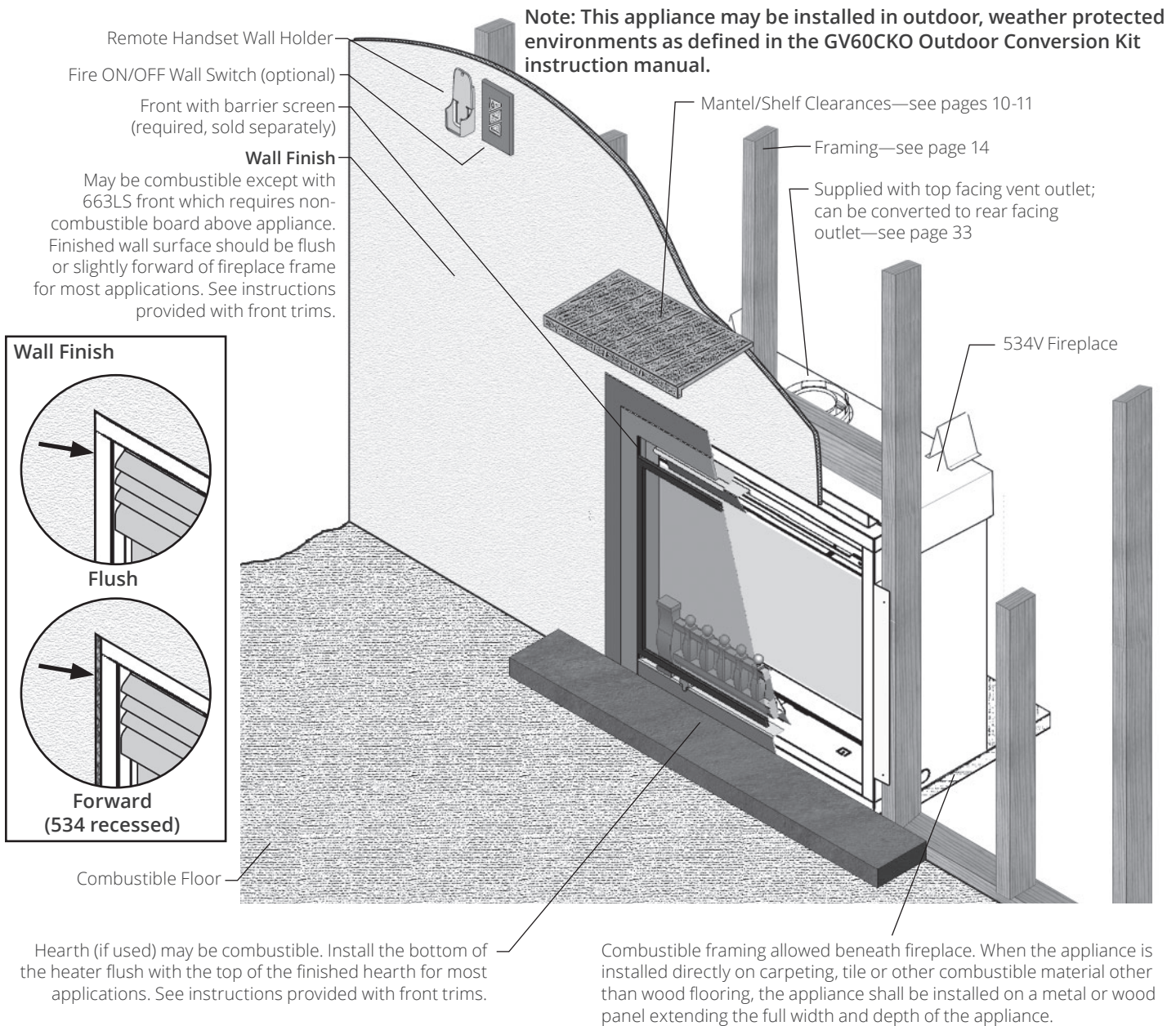
ONLY qualified licensed or trained personnel should install this appliance.

1. **BEFORE YOUR START, YOU NEED TO KNOW FROM THE HOMEOWNER:**
 - Required accessories to install with fireplace (liners, fuel bed, front, trim);
 - Height of appliance and hearth, if used;
 - Thickness and type of wall finish around appliance's opening;
 - Venting configuration;
 - Optional accessories, if used.
2. Unpack the appliance, removing all items packed inside and around it. Recycle packaging.
3. Check that you have everything required for the installation, using the Pack Content sheet. Also, check that you have:
 - Fuel bed (packed separately);
 - Liner panels (packed separately);
 - Venting accessories;
 - Gas conversion kit, if necessary;
 - Optional accessories;
 - Electrical accessories*, if necessary.
4. **Carefully read the Installer's Checklist included with the fireplace for the installation sequence. Read also this manual and the fronts/trims manuals to have all information necessary for the installation.**



WARNING

*** NO ELECTRICAL CONNECTION ALLOWED for any outdoor installation!**



⚠️ WARNING

SAFETY WARNING! The Horizon is a very effective radiant heater.

HOT WALL SURFACES! The wall directly above the fireplace may be constructed of combustible materials and, although safe, may become very hot when the fireplace is operating. Do not touch! Finish the wall directly above the fireplace using materials and methods suitable for elevated temperatures.

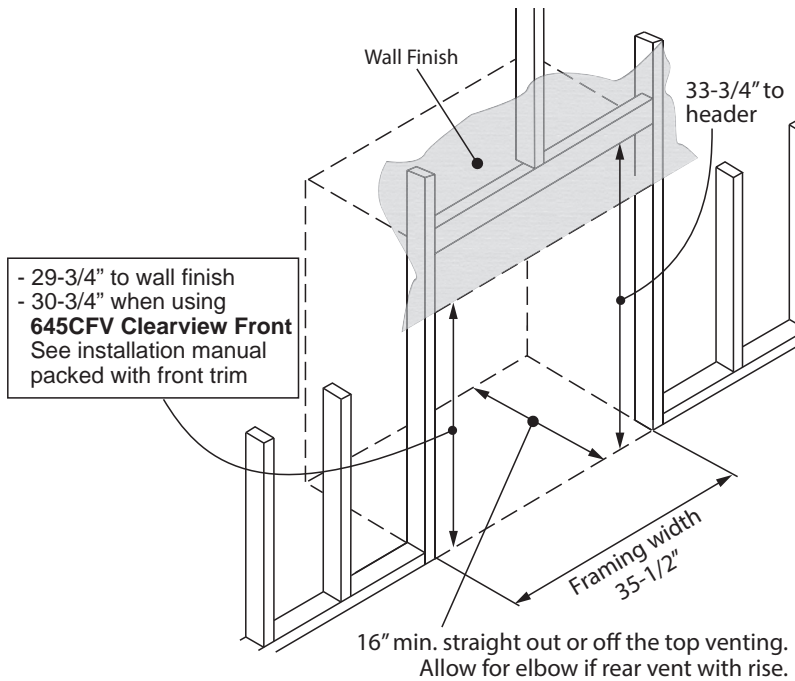
HEARTH/FLOOR SURFACES! The hearth/floor in front of the fireplace can get very hot. Locating the unit raised above the hearth/floor and using the screen front will help reduce hearth temperatures. Note that some materials, although safe can degrade due to heat—take this into consideration when choosing materials.

Planning

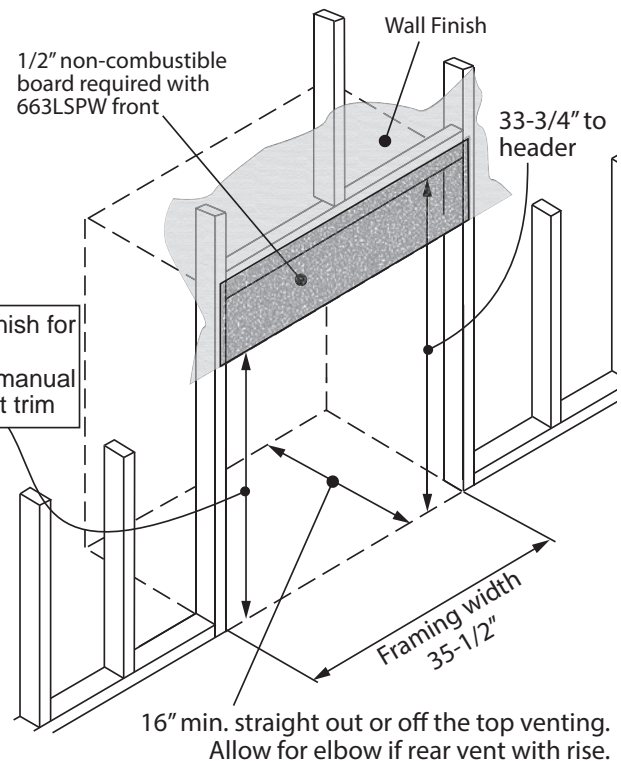
Framing

- A non-combustible hearth is not necessary in front of this appliance.
- Note that the appliance is installed at the framing stage and secured to framing using support angles. See page 34, 36. Wall finish is then installed afterwards over the support angles and up to the perimeter of the unit.
- **The 663LSPW front requires a 1/2" non-combustible board above the appliance opening**

NOTE
When the appliance is installed directly on carpeting, tile or other combustible material other than wood flooring, the appliance shall be installed on a metal or wood panel extending the full width and depth of the appliance.



Framing Dimensions (except when using 663LS front)



! Caution
The 663LS REQUIRES a non-combustible board!

Framing Dimensions for 663LS front

Planning

Wall Finish

Plan the Wall Finish

Non-Combustible Materials Specifications

Non-combustible materials are those which will not ignite and burn. Such materials are those consisting entirely of steel, iron, brick, tile, concrete, slate, glass or plasters, or any combination thereof.

Materials that are reported as passing ASTM E 136, *Standard Test Method for Behavior of Materials in a Vertical Tube Furnace* at 750 °C shall be considered non-combustible materials.

Combustible Materials Specifications

Materials made of or surfaced with wood, compressed paper, plant fibers, plastics, or other material that can ignite and burn, whether flame proofed or not, or plastered or unplastered shall be considered combustible materials.

Non-combustible board—for 663LS front

The 534V installed with the 663LS front in a zero clearance application will require a 1/2" [13 mm] thick non-combustible cement board or equivalent, to be used as a wall surface immediately above the unit—see illustration for minimum coverage.

Extending the cement board well beyond the minimum shown will help avoid cracking due to differential expansion of materials.

Pre-drill cement board with oversized holes and do not over-tighten screws to avoid cracking due to heat expansion.

Standard gypsum wall board may be used beyond the perimeter of the cement board although it is preferable not to change materials to help avoid cracking.

The wall finish cannot cover or cannot abut the backing plate which requires aeration at the top.

Caution

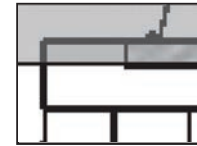
The 663LS backing plate **MUST** be **ON TOP** of wall finish surface as it has aeration slots which **CANNOT** be covered by wall finish or have wall finish overhanging above!

Minimum non-combustible board dimensions

663LS Front ONLY

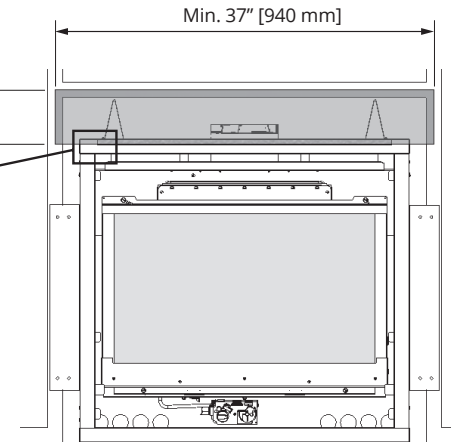
Non-combustible board required thickness:
1/2 inch [13 mm]

Min. 5-3/8" [137 mm]



NOTE

Non-combustible board comes down in front of appliance case resting on 663LS wall finish baffle



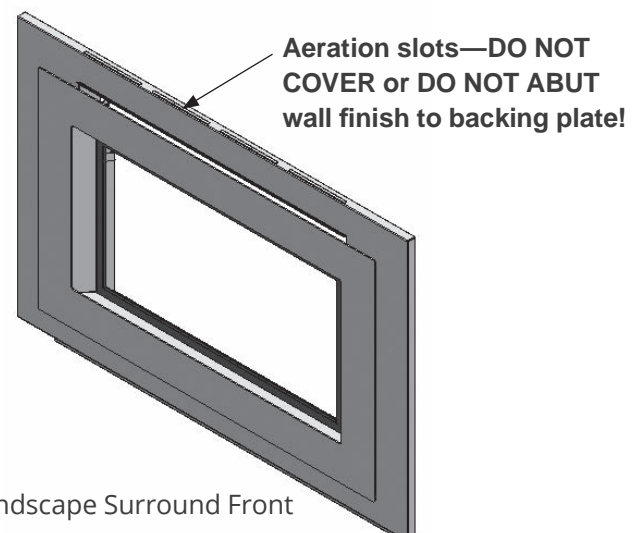
Finishing around fronts

Additional non-combustible material such as tile and others may be applied over top of the wall surface or you may choose to leave it finished clean with no tile.

Be aware that a front is always required and the wall finish thickness must be taken into account for all installations.

663LS only: Top baffle and bottom panel must install at framing stage at the same time as appliance and will be covered by wall finishes.

The backing plate and front install on top of wall finish. The perimeter of backing plate overlaps wall finish; therefore thickness of any wall finish materials must be considered. The 663LS has enough adjustability to allow up to 3/4" thick non-combustible material applied over top of 1/2" thick non-combustible board.



663LS Landscape Surround Front

Cracking Wall Finishes

If a clean finish with no tile, etc. is desired, joints in the gypsum board will require special attention if future cracking is to be controlled.

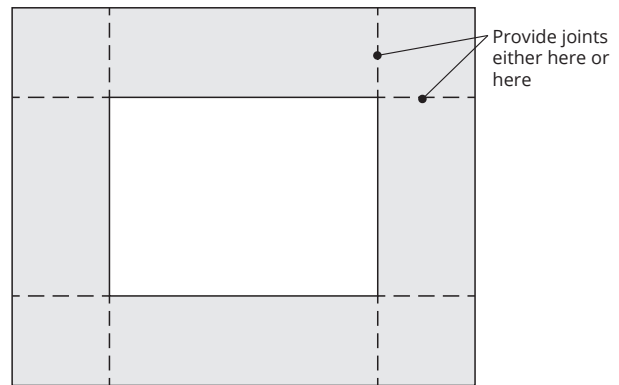
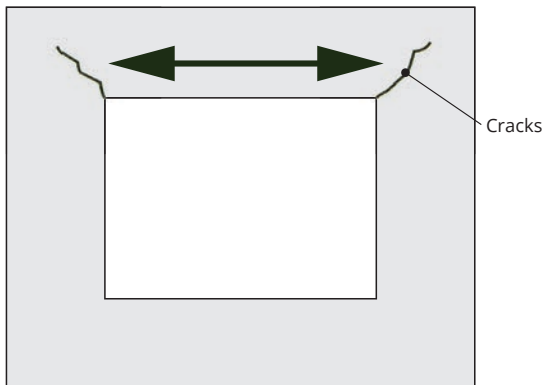
Shrinkage and differential movement of the framing and wall board can transmit cracking through to tiles, etc.

Be aware that temperatures on the wall surface above the appliance can exceed 185°F. Although safe, this is too hot for many materials and finishes. Choose materials that will withstand these temperatures.

Below are some tips on how to best avoid any cracking:

- Allow materials to dry thoroughly before finishing the wall. Some materials, such as cement board has the ability to absorb up to 30 percent of its weight in water and may shrink as much as 1/8" over a 48" length when drying from a saturated condition. Running the fireplace for an extended period before final finishing will help drive out moisture. Moisture is the leading cause of material shrinkage!
- Always pre-drill screw holes through cement board and use screws with self-milling head.
- Always use mesh tape over joints.
- Always stagger joints in wall board.
- Behind joints, double up studs or use studs "on the flat" to add extra support to the joint. Adhesive on the backside of wall board behind any joints can help control differential movement.
- Use multiple, thinner coats of joint compound and allow to dry thoroughly between coats.
- Ensure framing materials are dry.

- After finishing the wall, introduce heat gradually to slowly dry any excess moisture rather than drying too fast.
- Avoid notching cement board or tiles around corners of window opening and instead provide a joint that intersects the corner.
- Avoid using large, one-piece slab of material with a cut-out in the middle as a surround for the fireplace. Expansion above the opening will cause cracking at inside corners. Provide a joint that intersects the inside corner to avoid cracking.



Top or Rear Facing Outlet

This appliance is supplied with a top vent outlet which can be field-converted to a rear facing vent outlet. See page 33 for more information.

Vent Material

This appliance is approved for installation using 4 x 6-5/8-inch co-axial direct vent pipe and accessories as listed in *Approved Venting Components* pages 8-9. Follow the installation instructions supplied with the individual venting accessories.

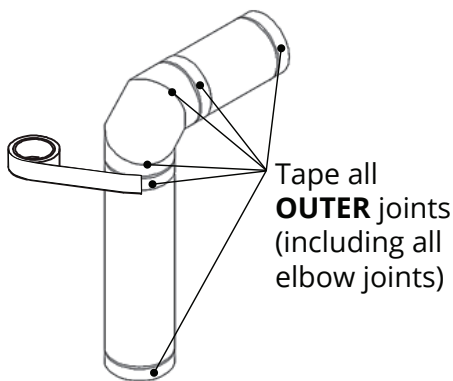
This appliance may also be converted to co-linear venting with two 3-inch pipes or co-axial flex with a 3x5 flex pipe for use in solid-fuel burning fireplaces and chimneys using approved adapters and accessories. See *Vent Conversion* pages 25-31 and *Approved Venting Components* pages 8-9.

Vent Sealing

Seal all **outer** co-axial pipe and elbow joints, including sectioned elbow **outer** joints, using high quality, high temperature 2-inch wide self-adhesive aluminum foil tape (Nashua-322-2 brand or similar). Wrap the tape completely around all **outer** joints and press firmly to seal.

A high-temperature black silicone sealant may be used in the **outer** joints as a substitute to foil tape.

Ensure all the pipe joints have a minimum of 1-1/4 inch overlap.



Wall Thickness

The appliance vent is suitable for penetrating a combustible wall assembly up to 14 inches in thickness. A non-combustible wall can be of any thickness up to the maximum horizontal run of vent pipe allowed for the particular installation.

Vent Penetration Through Walls & Ceilings

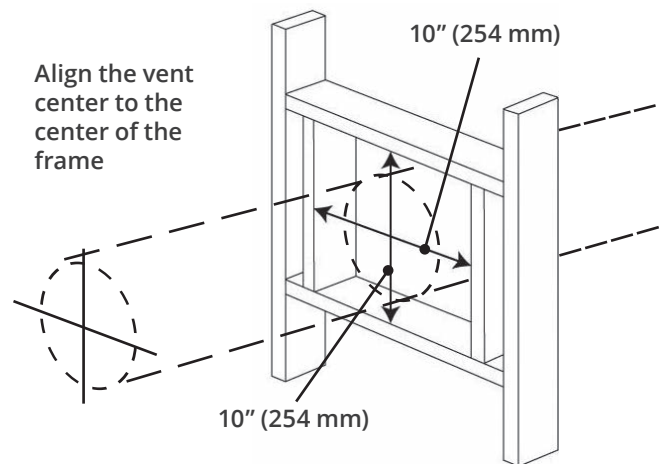
Combustible

When penetrating through combustible walls and ceilings, frame a minimum of 10 inches x 10 inches opening and ensure that the insulation is kept clear of the vent pipe using either a wall thimble or an attic insulation shield. Follow the installation instructions supplied with the individual venting components.

Non-combustible

If the wall is totally non-combustible (e.g. masonry block or concrete), mark for a 7-inch circular hole.

In both cases, the center of the hole should line up with the center line of the horizontal vent.



All horizontal pipe runs must be graded 1/4 inch per foot upwards in the direction of the exhaust flow. The final pipe length, when terminating through the wall may be graded downwards slightly to prevent water migration.

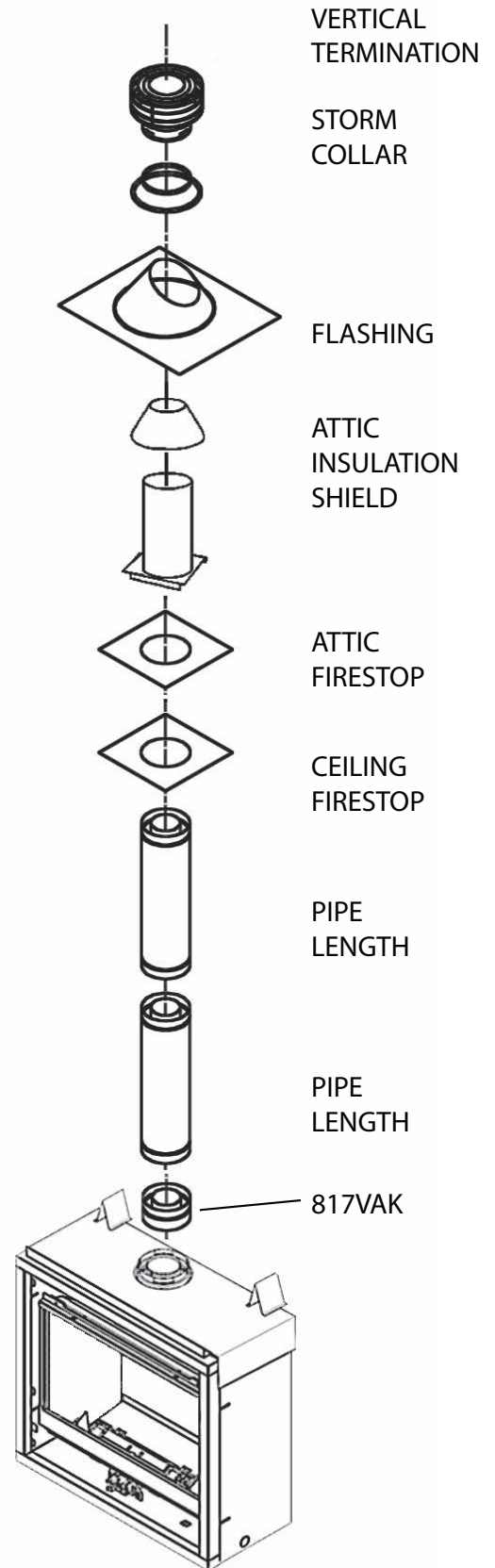
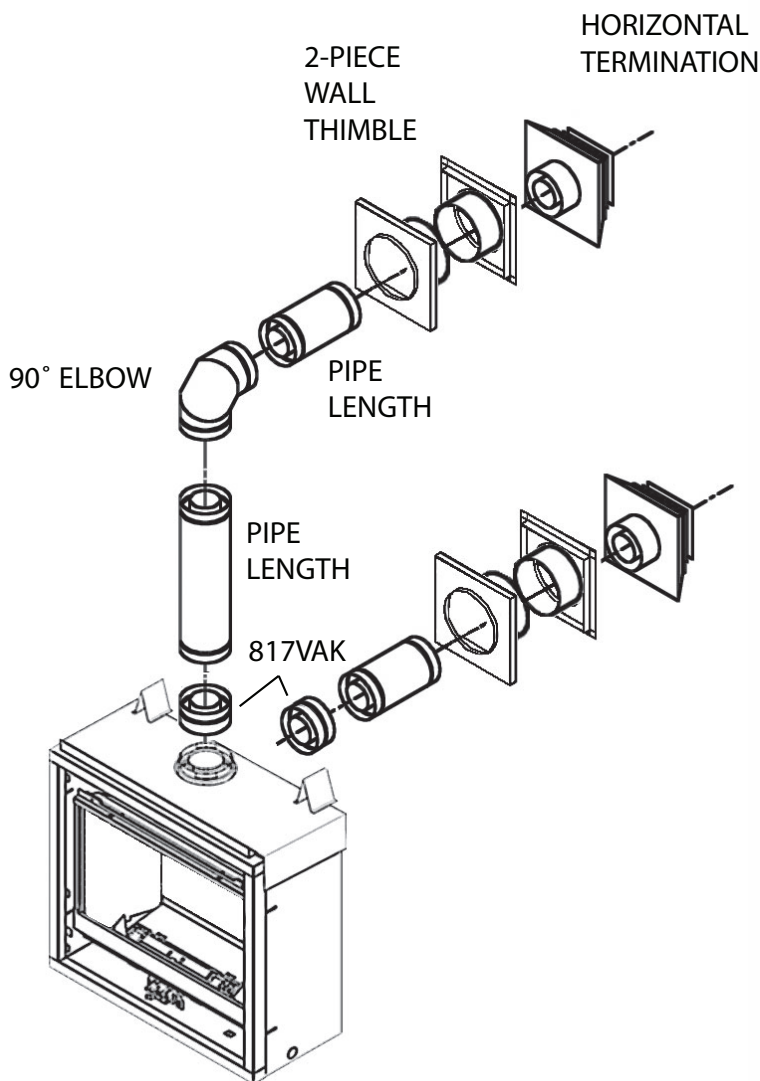
Venting

Co-Axial

Typical Co-Axial Venting Components

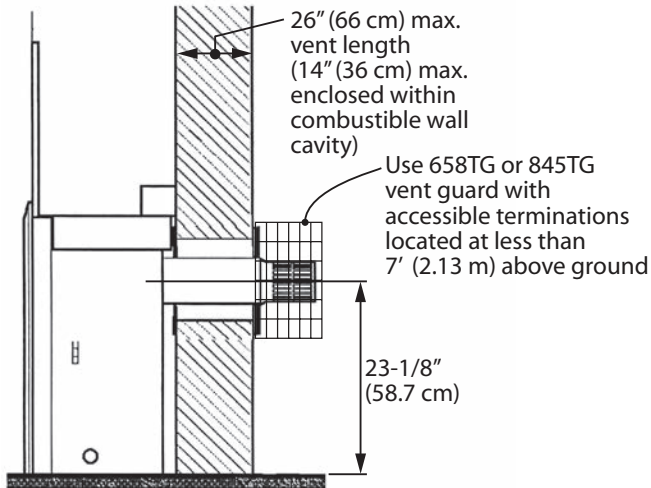
IMPORTANT

Provide support for vertical pipe runs, particularly offsets. Do not rely on the appliance for support of long vertical pipe runs. Horizontal pipe runs should be supported every 4 feet using strapping.

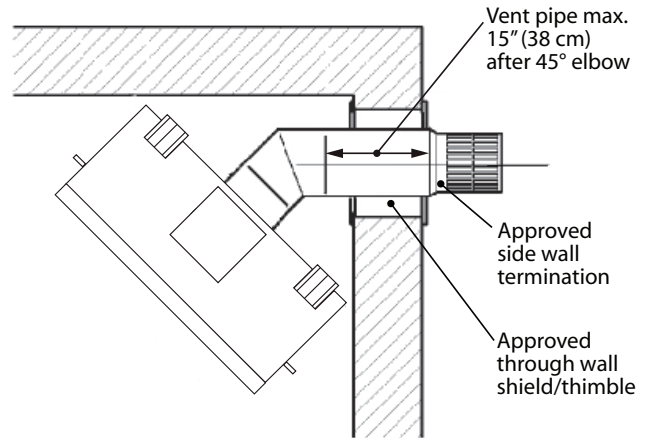


Rear Vent—No Vertical Rise

The horizontal vent run cannot be extended by the use of any vent accessory pipes.



Rear vent—no vertical rise



Corner rear vent—no vertical rise

Important Installer Notice—Weather Sealing & Vapor Barrier

It is the installer's responsibility to ensure that vent installations through exterior walls are caulked and weatherproofed in such a manner as to:

- Prevent rain from entering the wall from the weather side by adequately caulking the outer vent plate to the exterior wall surface.
- Prevent moisture inside the home from penetrating into the wall structure by ensuring the inside wall plate is adequately sealed to the inside vapor barrier.
- Prevent rain water and moisture from entering the walls by sealing the joints between the outer vent tube and the inner and outer wall plates.

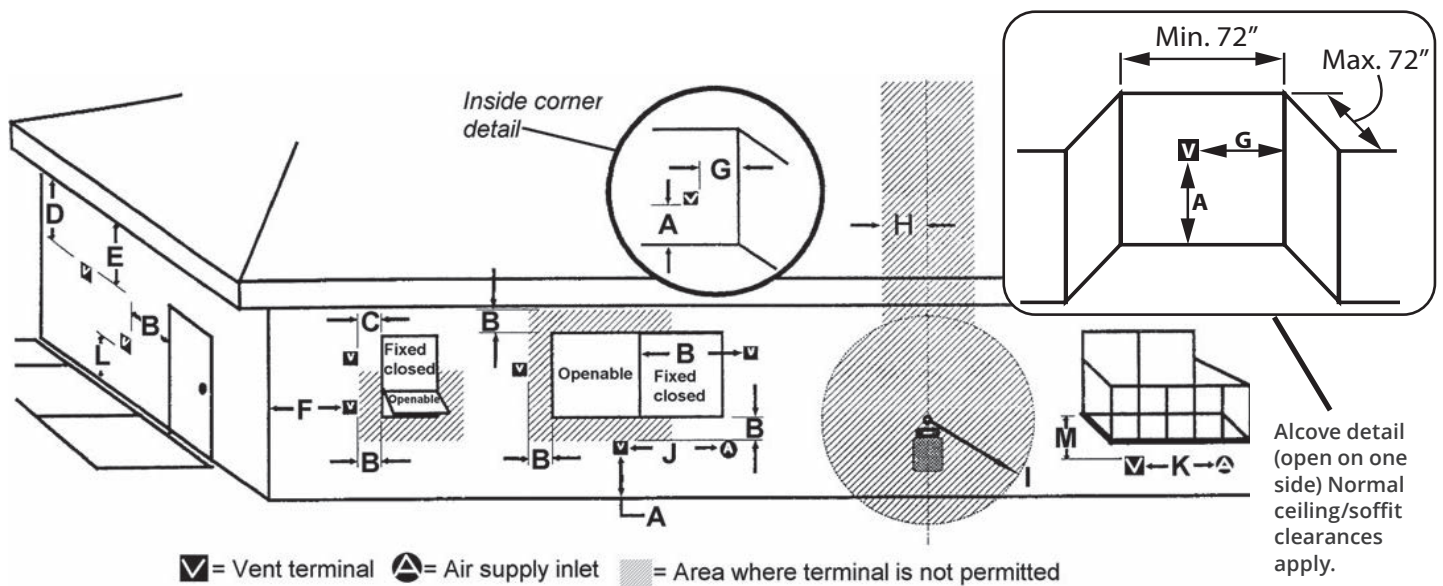
We recommend the use of a high quality polyurethane sealant.

Horizontal Vent Termination Location

- The vent terminal must be located on an outside wall or through the roof.
- This direct vent appliance is designed to operate when an undisturbed airflow hits the outside vent terminal from any direction.
- The minimum clearances from this terminal that must be maintained when located on an outside wall are shown in figure below. Any reduction in these clearances could result in a disruption of the

airflow or a safety hazard. Local codes or regulations may require greater clearances.

- The vent terminal must not be recessed into a wall or siding.
- The vent terminal should be positioned where any snowdrifts will not cover it.
- Sidewall vent terminations require a terminal guard such as 658TG or 845TG when accessible—within 7' of ground.

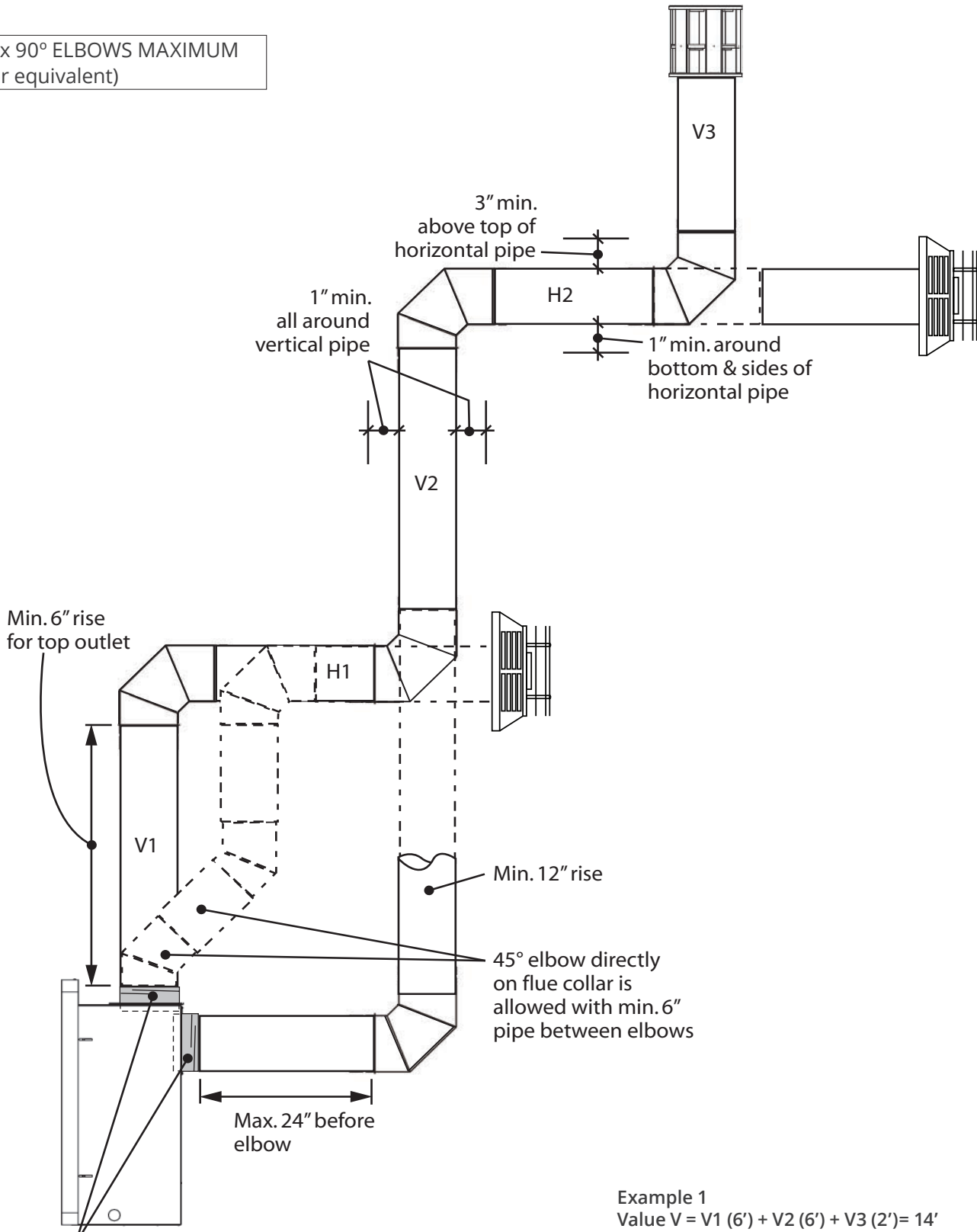


KEY	VENT TERMINAL LOCATIONS - MINIMUM DISTANCES	MINIMUM CLEARANCE	
		Inches	Cm
A	Clearance above grade, verandah, porch, deck or balcony	12	30
B	Clearance to window or door that may be opened	12	30
C	Clearance to permanently closed window (recommended to prevent condensation on window)	12	30
D	Vertical clearance to ventilated soffit located above the terminal within a horizontal distance of 2 feet (60 cm) from the center-line of the terminal	18	46
E	Clearance to unventilated soffit	12	30
F	Clearance to outside corner (measured from the center of vent)	12	30
G	Clearance to inside corner (measured from the center of vent)	12	30
H	Horizontal clearance to center-line of meter/regulator assembly located within 15 feet (4.6 m) below the terminal	36	90
I	Clearance to service regulator vent outlet	36	90
J	Clearance to non-mechanical air supply inlet to the building or the combustion air inlet to any other appliance	12	30
K	Clearance to a mechanical air supply inlet	72	180
L	Clearance above paved sidewalk or a paved driveway located on public property Note: A vent must not terminate directly above a sidewalk or paved driveway, which is located between two single-family dwellings and serves both dwellings. THIS DOES NOT APPLY to direct vent, non-condensing appliances in the Province of Ontario.	84	210
M	Clearance under a verandah, porch, deck or balcony Only permitted if veranda, porch, deck or balcony is fully open on a minimum of 2 sides beneath the floor	12	30

Note: Local codes and regulations may require different clearances.

Venting Configurations—With Vertical Rise

4 x 90° ELBOWS MAXIMUM
(or equivalent)



817VAK adapter:
required for top
or rear outlet.

Example 1
Value V = V1 (6') + V2 (6') + V3 (2') = 14'
Value H = H1 (3') + H2 (3') = 6'

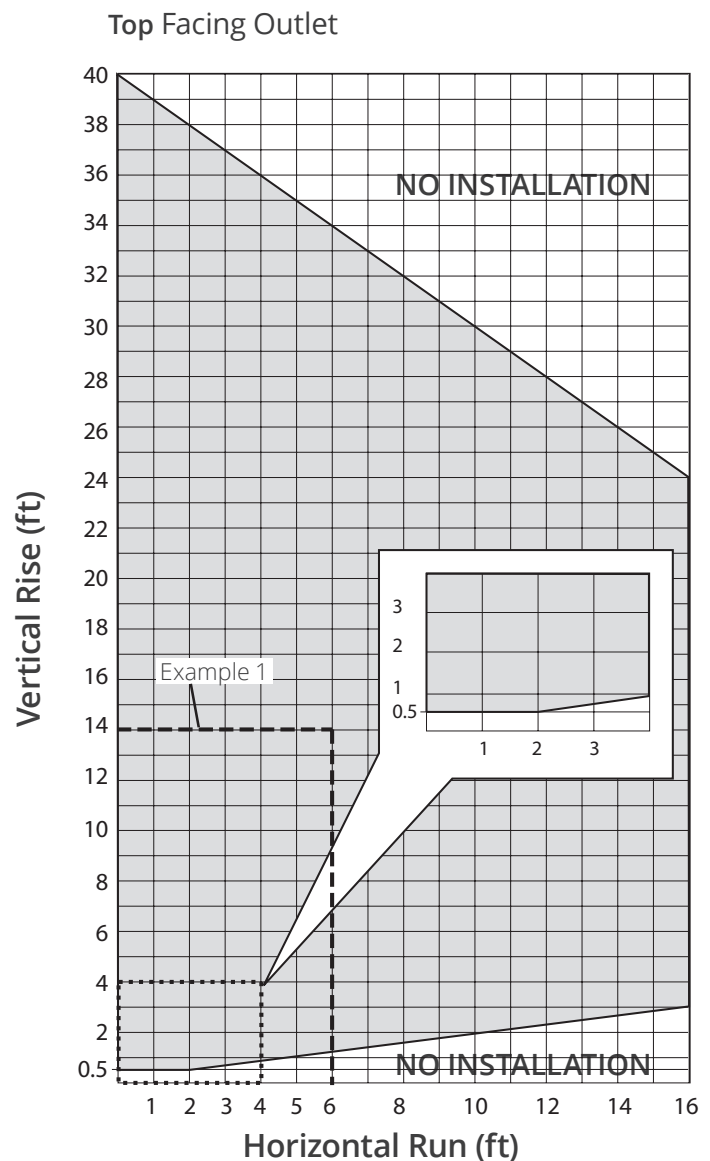
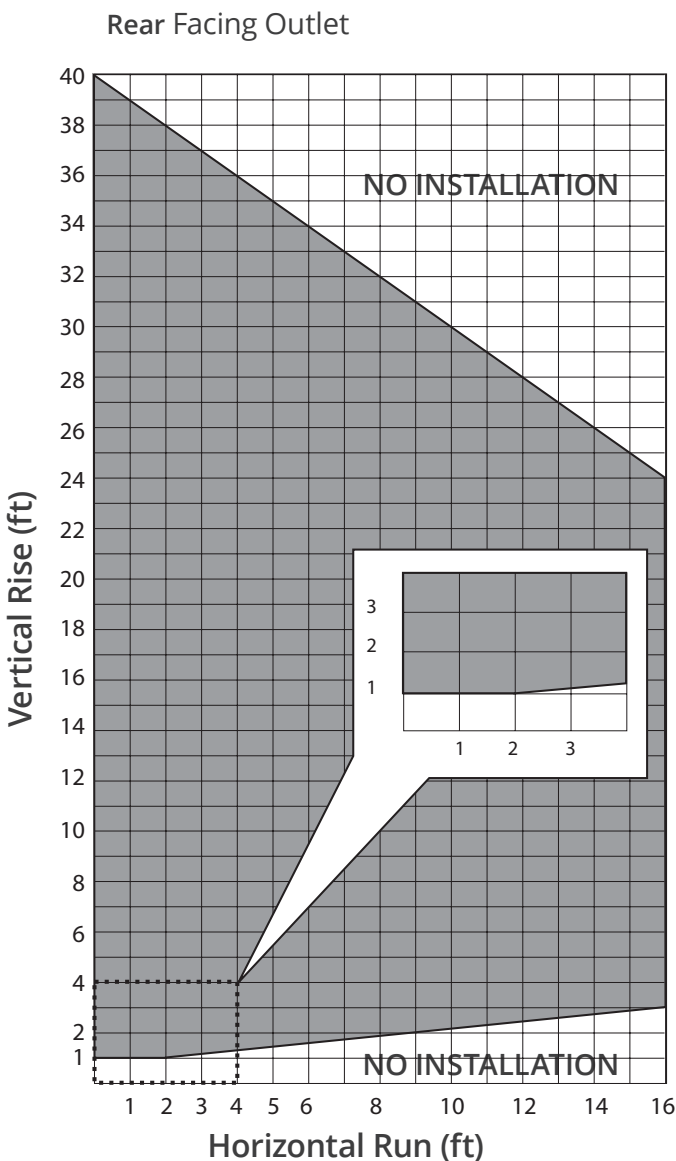
How to Read the Venting Charts

The charts below apply to co-axial roof or wall termination in installations with vertical rise. See page 17 for installations with no vertical rise.

1. The total length of the vent pipe cannot exceed 40 feet.
2. The minimum vertical height with roof termination is 10 feet.
3. Any combination of rise and run can be used as long as they are within the allowable limits shown on the chart below.
4. A maximum of 4 x 90 degrees elbows—or equivalent (2 x 45 degrees = 90 degrees)—can be used.

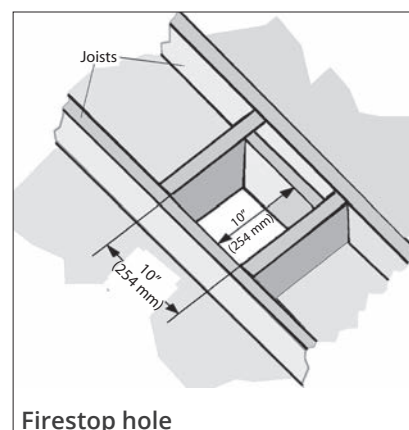
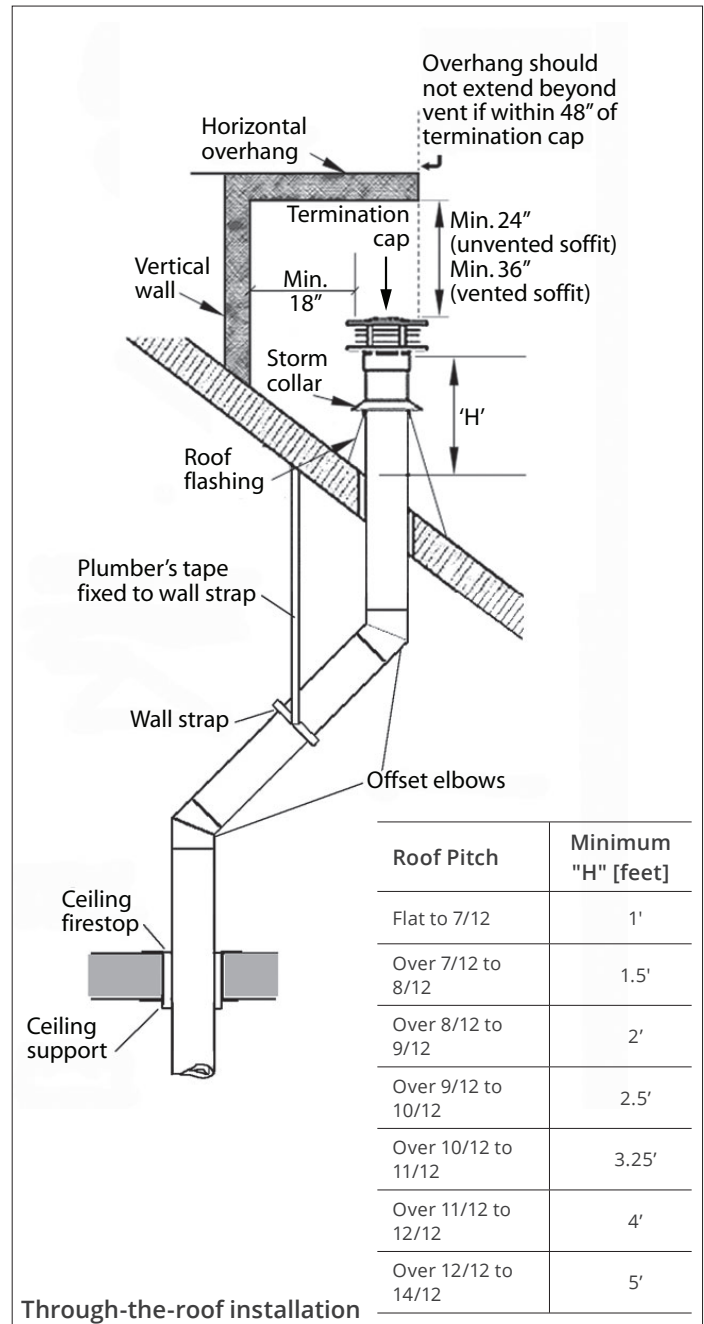
5. Each 90 degrees elbow installed on the horizontal plane is equivalent to a 3 feet horizontal pipe; therefore, 3 feet must be subtracted from allowable horizontal run. (45 degrees elbow is equivalent to 18 inches horizontal pipe.)
6. All horizontal pipe runs must be graded 1/4 inch per foot upwards in the direction of the exhaust flow. The final pipe length, when terminating through the wall may be graded downwards slightly to prevent water migration.
7. Maximum co-linear venting is 40 feet.
8. A restrictor is required for all installations—see *Restrictor Settings* page 24 for more information.

Venting Charts Allowable Co-Axial Vent Configurations with Vertical Rise



Co-Axial Vertical Installations

- Check the roof pitch to determine which roof flashing will be needed. See *Approved Venting Components* pages 8–9 for allowable components.
- The distance from the roof to the lowest terminal discharge opening (“H” in figure) depends on the roof pitch and must be in accordance with the manufacturer’s instructions supplied with the termination unit. *Note: The venting system for these appliances is considered to be **Special Venting System**. The rule in the CAN/CGA-B149 Installation Code requiring a minimum vent height of 2 feet above any portion of a building within 10 feet does not, therefore, apply.*
- The minimum clearances to combustibles all round the vent pipes must be in accordance with the dimensions shown in *Venting Configurations—With Vertical Rise* page 21 of this manual.
- Drop a plumb from the ceiling to the center of the appliance vent opening. Mark the position on the ceiling. Drill a small hole at the marked position.
- Determine the position where the vent will pass through the roof. If directly above the position where it penetrates the ceiling, drop a plumb from the roof to the small hole in the ceiling and mark the roof at this spot. If rafters or other obstructions will prevent a vertical exit or if clear attic space is desired, the roof outlet can be offset using 45 degree elbows. Drill a small hole at the marked position.
- A ceiling firestop must be installed at the second floor and higher floors. A ceiling support should be used below the flat ceiling. To install the firestop and support, cut and frame a 10 inches (254 mm) square hole centered on the small hole previously drilled.
- Fit vent accessory elbows a pipe lengths as required up through ceiling support boxes and firestops. If installation includes offset, support the offsetting pipes every 3 feet (1 m) with wall straps as shown.
- Cut a hole in the roof centered on the small hole. The hole must allow for the minimum clearances to combustibles. See Venting section in this manual.
- Fit pipe lengths through the roof. Fit roof flashing securing it with roofing nails.
- Fit storm collar and termination cap.



Venting

Restrictor Settings

Install Air Restrictors (if necessary)

No restrictors are required for appliances without a vertical rise.

MOST INSTALLATIONS REQUIRE RESTRICTORS for improved flame picture and performance. This appliance is supplied with two sets of restrictors (shown at right) having four different positions or settings. The restrictors cover part of the **inlet air openings** in the firebox rear wall behind the rear burner cover support. **DO NOT install the restrictors in the roof of the firebox!**

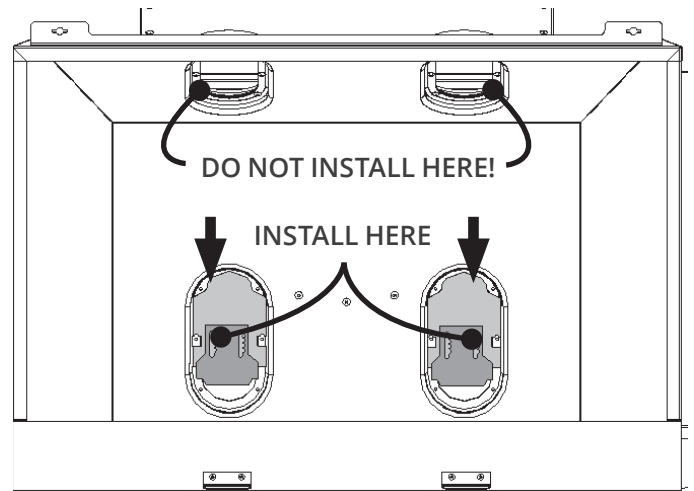
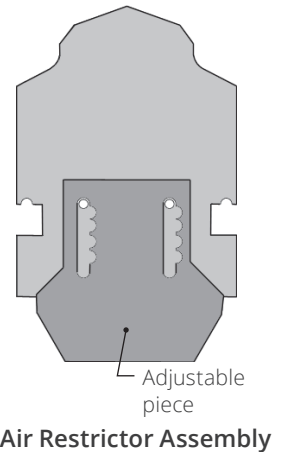
The level of restriction required depends on the vertical rise in the venting system and, to a lesser degree, the horizontal run and number of elbows. The amount of restriction is based on laboratory tests. The ideal restrictor position may vary slightly, especially when the vent pipe length is near the limits of the acceptable configurations for each type of restrictor.

The table next page shows the vent restrictor positions required relative to the length of the vent pipe.

Each restrictor set includes an adjustable piece which can be moved to different positions depending of the vent configuration. See the table below to find out which position is optimal for each type of installation.

To fit the restrictors:

1. Loosen the two center screws of the left and right inlet ports. Place the restrictor assembly under the screw heads and tighten the center screws.
2. To set the adjustable restrictor piece, loosen the two screws, position the adjustable piece according to the diagram below and tighten the screws.



Restrictor Settings

Vent system configuration	Appliance vent outlet	Vertical vent pipe run	Restrictor setting
Horizontal through wall with vertical rise	Top or Rear	Less than 6' [183 cm]	
	Co-Axial 4 x 6/5/8"	From 6' to 20' [1.83 to 6.1 m]	
		From 20' to 40' [6.1 to 12.2 m]	
No vertical rise = NO restrictor	Co-Linear with 720SWK From 5' [1.5 m] up; (no restrictor less than 5')		

Vent system configuration	Appliance vent outlet	Vertical vent pipe run	Restrictor setting
Vertical through roof	Top or Rear	Less than 20' [6.1 m]	
	Co-Axial 4 x 6/5/8"	From 20' to 40' [6.1 to 12.2 m]	
		Co-Axial Flex 3 x 5"	
	Co-Linear 3 x 3"	From 8' to 40' [2.4 to 12.2 m]	

Venting

Vent Conversion

Applications

This appliance can be converted to install as a co-linear application or as a co-axial using flex pipes application. The co-linear or co-axial flex portion of the vent system may only be installed within a solid-fuel burning appliance.

This appliance must not be connected to a chimney flue serving a separate solid-fuel burning appliance.

Types of Installations

- Complete installation into an existing fireplace
 - Partial installation into an existing fireplace
 - Installation into an adjacent chimney
 - Installation in chimney using co-axial flex venting
- See the following pages for each installation details.

Rules for Co-Linear/Co-Axial Flex Venting

- Maximum 40 feet vertical pipe
- Minimum 8 feet vertical
- Maximum offset 8 feet with liners at minimum 45 degrees from horizontal plane
- Restrictors: See each application to confirm and set the position.

NOTE

Co-linear or co-axial flexible aluminum venting liners should be professionally inspected periodically for corrosion and damage and replaced when necessary. If the installation does not allow for future inspection or replacement of the flexible aluminum liners, then stainless steel vent liners are recommended.

Existing Fireplace Preparation

A few points must be considered before inserting the 534 into an existing fireplace cavity. Generally, no modifications are allowed to the existing fireplace that will compromise the integrity of the existing fireplace.

Cutting away any sheet metal parts of the existing fireplace to accommodate the installation of the 534 is prohibited. Check with local authorities if in doubt.

Components that are bolted or screwed on such as dampers or baffles may be removed to accommodate the installation of the 534 engine. Refractory bricks, glass doors, screen rails, screen mesh, and log grates can be also removed.

Clean Fireplace and Chimney

Have the chimney swept and the fireplace cavity including ash dumps and clean-outs cleaned before installing the 534 heater and vent liners. Any creosote or soot residue remaining in the fireplace cavity chimney or clean-out may cause odors or stains once the 534 insert is installed. Consult with chimney sweep for information on how best to clean.

Existing Dampers

Factory-built, zero-clearance fireplaces will require the damper to be removed in order to install the vent liners. These dampers are usually bolted into place. Dampers in masonry fireplaces must be fixed open and may remain in place.

Ash Retaining Curbs

Some fireplaces (particularly factory-built) have a raised curb at the front edge to retain ashes. Check the dimensions carefully to ensure the 534 engine will fit behind any raised curb (some curbs may be removed separately from the refractory base).

Gas Line Routing

Plan the routing of the gas line before proceeding. Utilize the existing hole for the gas line of the factory-built fireplace.

If the fireplace has no access hole, carefully drill an access hole of 1.5 inch (37.5 mm) or less through the lower sides or bottom of the firebox in a proper workmanship manner. This access hole must be plugged with non-combustible insulation after the gas supply line has been installed.

See *Dimensions* section for detailed location of gas inlet. Also, take into consideration whether or not a fan or shut-off valve will interfere when planning routing of the gas line.

Combustible Mantels

Combustible mantel clearances must conform to those required for the original solid-fuel fireplace into which the 534 is being installed.

Attach Warning Conversion Plate to Existing Fireplace

(Label supplied with vent adapter)

Attach the "This fireplace has been converted..." label to the existing fireplace using screws or other mechanical means and store any removed parts in back of the existing fireplace for future use.

Venting

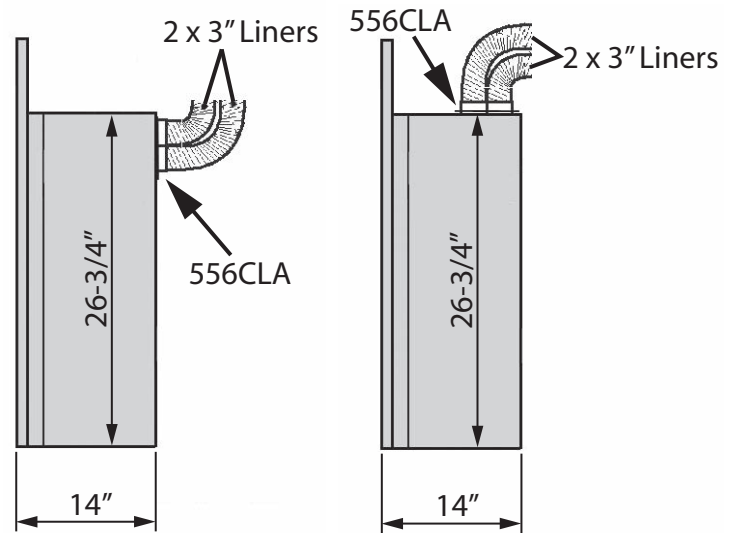
Co-Linear

Complete Installation Into an Existing Fireplace

The appliance can be installed completely inserted into the non-combustible cavity as illustrated. In this case, the firebox zero clearance standoffs supplied with the heater are not required.

Required venting components:

- Valor Co-axial to co-linear adapter 556CLA;
- 2 lengths of 2-ply, flexible chimney liner approved for venting gas appliances:
 - 1 x 3-inch diameter for air inlet and
 - 1 x 3-inch diameter for exhaust;
- Co-linear termination kit 3 x 3 and flashing or co-linear to co-axial adapter and either high wind vertical vent terminal cap or a low profile vertical termination.



556CLA on Rear Outlet

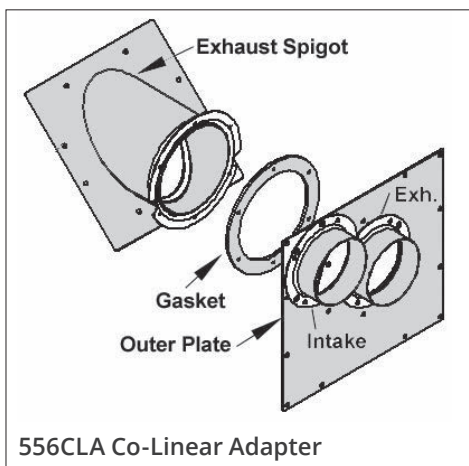
556CLA on Top Outlet

Restrictors

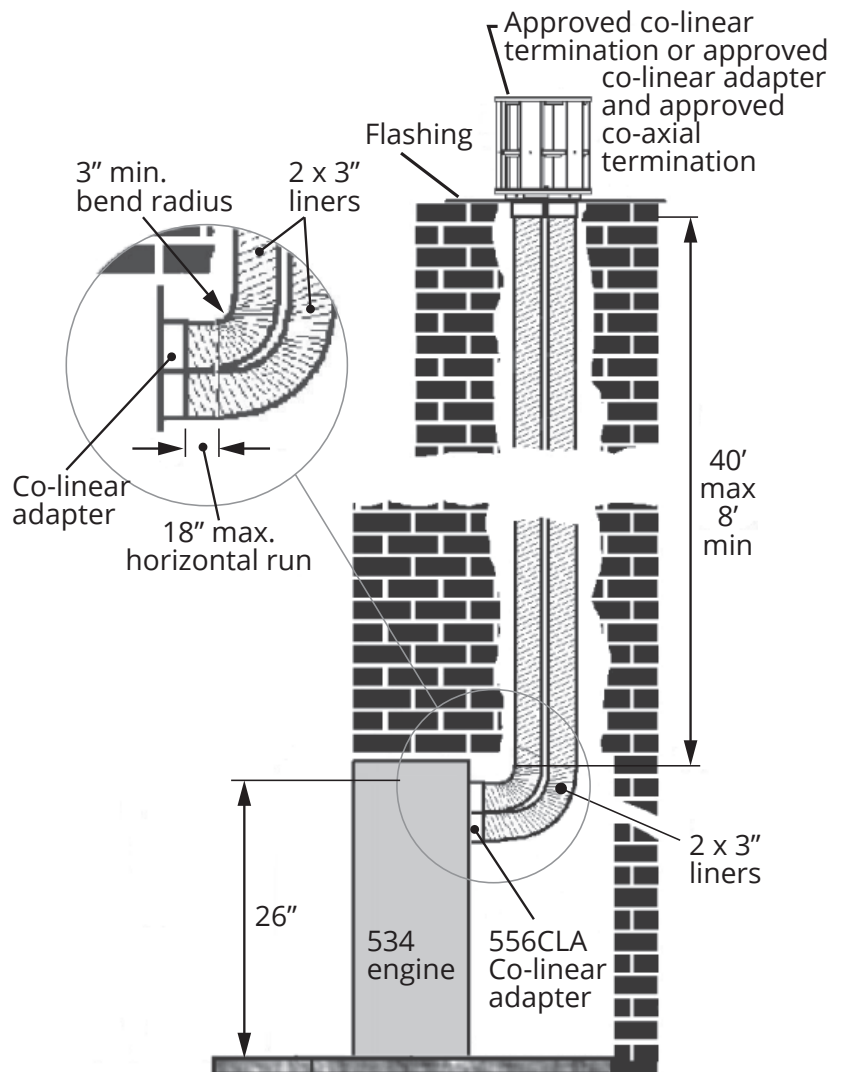
See *Restrictor Settings* page 24 of this manual.

NOTES

- Dimensions shown with standoffs removed. Only for applications where the unit is fully recessed into an existing solid-fuel burning fireplace.
- Co-linear and co-axial venting may be combined in a single venting system provided conversion is done only once using approved components and maintaining proper clearances.



NOTE
See 556CLA installation manual for complete instructions.



Venting

Co-Linear

Installing Into Existing Fireplace with 720SWK

The appliance can be installed completely inserted into the non-combustible cavity as illustrated below.

In this case, the firebox zero clearance standoffs supplied with the heater are not required.

Required venting components:

- Valor 556CLA Co-Linear Adapter;
- Two lengths of 2-ply, 3" diameter flexible chimney liners approved for venting gas appliances;
- Valor 720SWK Sidewall Co-linear Termination kit;
- Terminal Guard such as Valor 658TG or 845TG if terminal located at less than 7'-0" of grade.

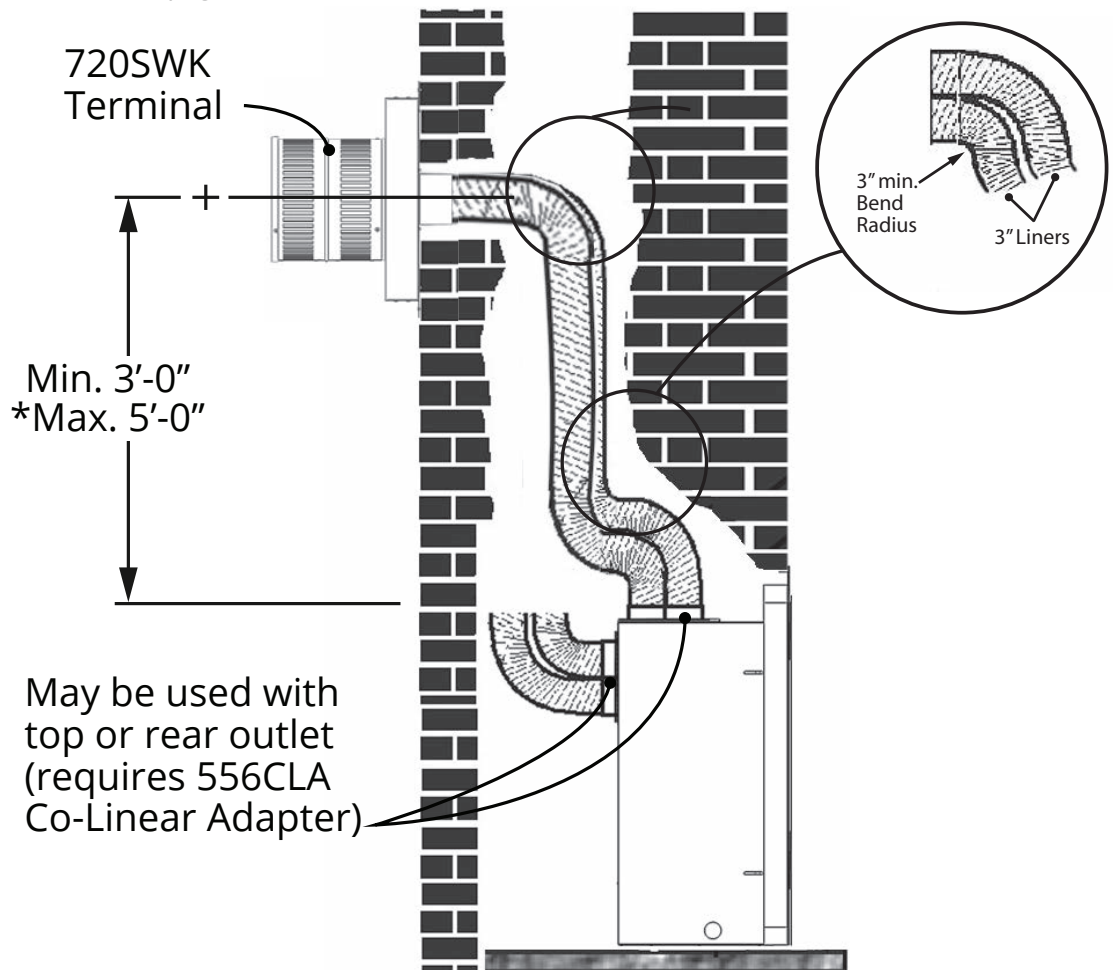
Restrictors

Not required for co-linear sidewall venting with less than 5'-0" vertical rise. For restrictor settings beyond 5'-0" refer to chart on page 24.

Clearances

See *Horizontal Vent Termination Location* page 20.

NOTE
See 556CLA and 720SWK installation manual for complete instructions.



* May be extended beyond 5'-0". Refer to 720SWK installation instructions.

Partial Installation Into an Existing Fireplace

The appliance can be partially inserted into the non-combustible cavity as illustrated below.

In this case, the appliance must be completely framed and maintain clearances to combustibles as shown in this manual.

Required venting components:

- Co-axial to co-linear adapter at appliance Valor 556CLA, 46DVA-GCL33 or equivalent;
- 2 lengths of 2-ply, flexible chimney liner approved for venting gas appliances:
 - 1 x 3-inch diameter for air inlet and
 - 1 x 3-inch diameter for exhaust;
- Co-linear termination kit 3 x 3 and flashing or co-linear to co-axial adapter and either high wind vertical vent terminal cap or a low profile vertical termination.

Restrictors

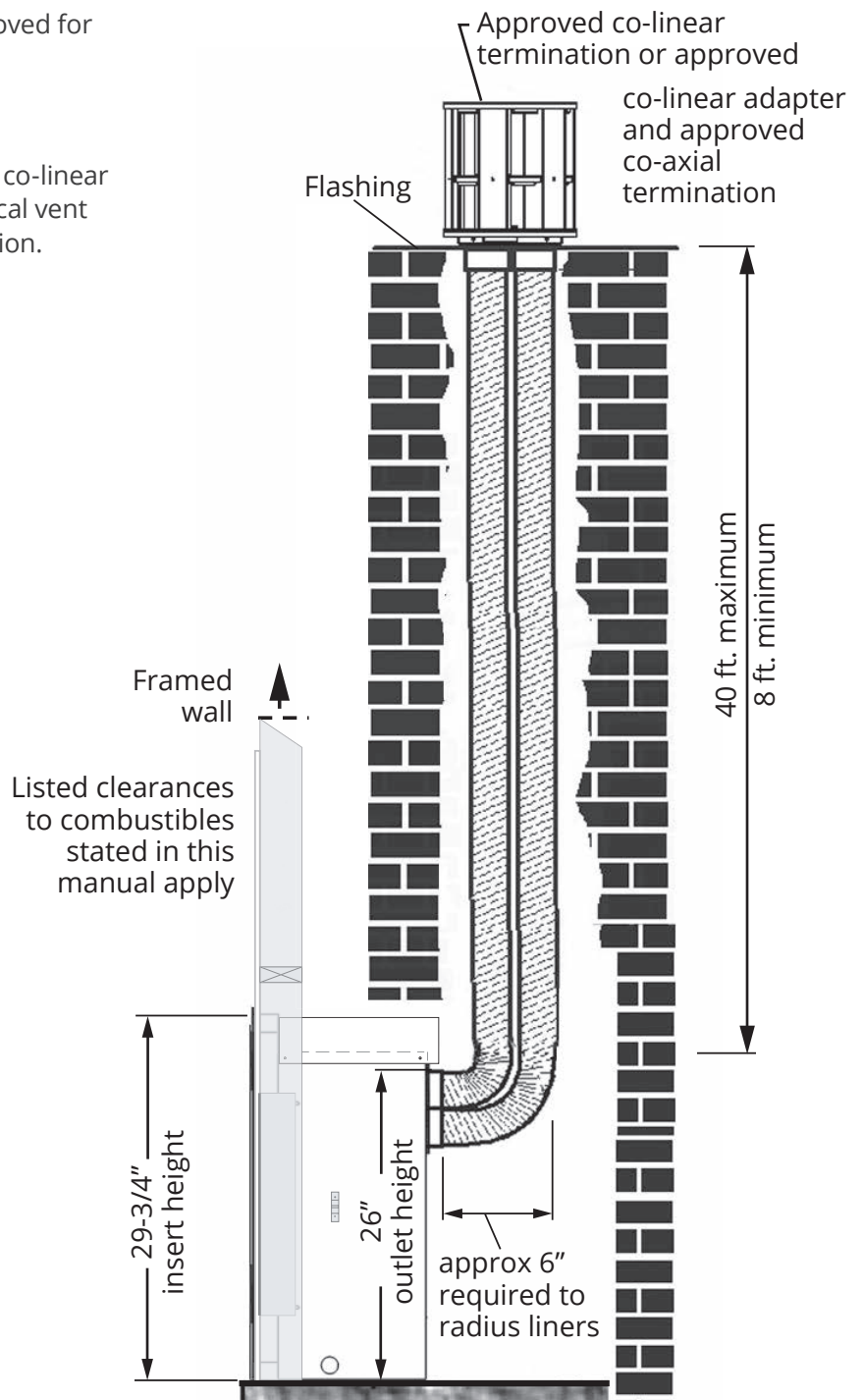
See *Restrictor Settings* page 24 of this manual.

NOTE

Top heat shield and side standoffs are required to maintain clearances to combustible for the part of the appliance outside a non-combustible cavity.

NOTE

This appliance must be completely framed and maintain clearances to combustibles as shown in this manual.



Venting

Co-Linear

Installation Into an Adjacent Chimney

The appliance's venting system can be partially inserted into the non-combustible adjacent chimney as illustrated below.

In this case, the appliance must be completely framed and maintain clearances to combustibles as shown in this manual.

Required venting components:

- Co-axial to co-linear adapter at appliance 46DVA-33CLAA, 46DVA-GCL33 or equivalent;
- 2 lengths of 2-ply, flexible chimney liner approved for venting gas appliances:
 - 1 x 3-inch diameter for air inlet and
 - 1 x 3-inch diameter for exhaust;
- Co-linear termination kit 3 x 3 and flashing or co-linear to co-axial adapter and either high wind vertical vent terminal cap or a low profile vertical termination.

Restrictors

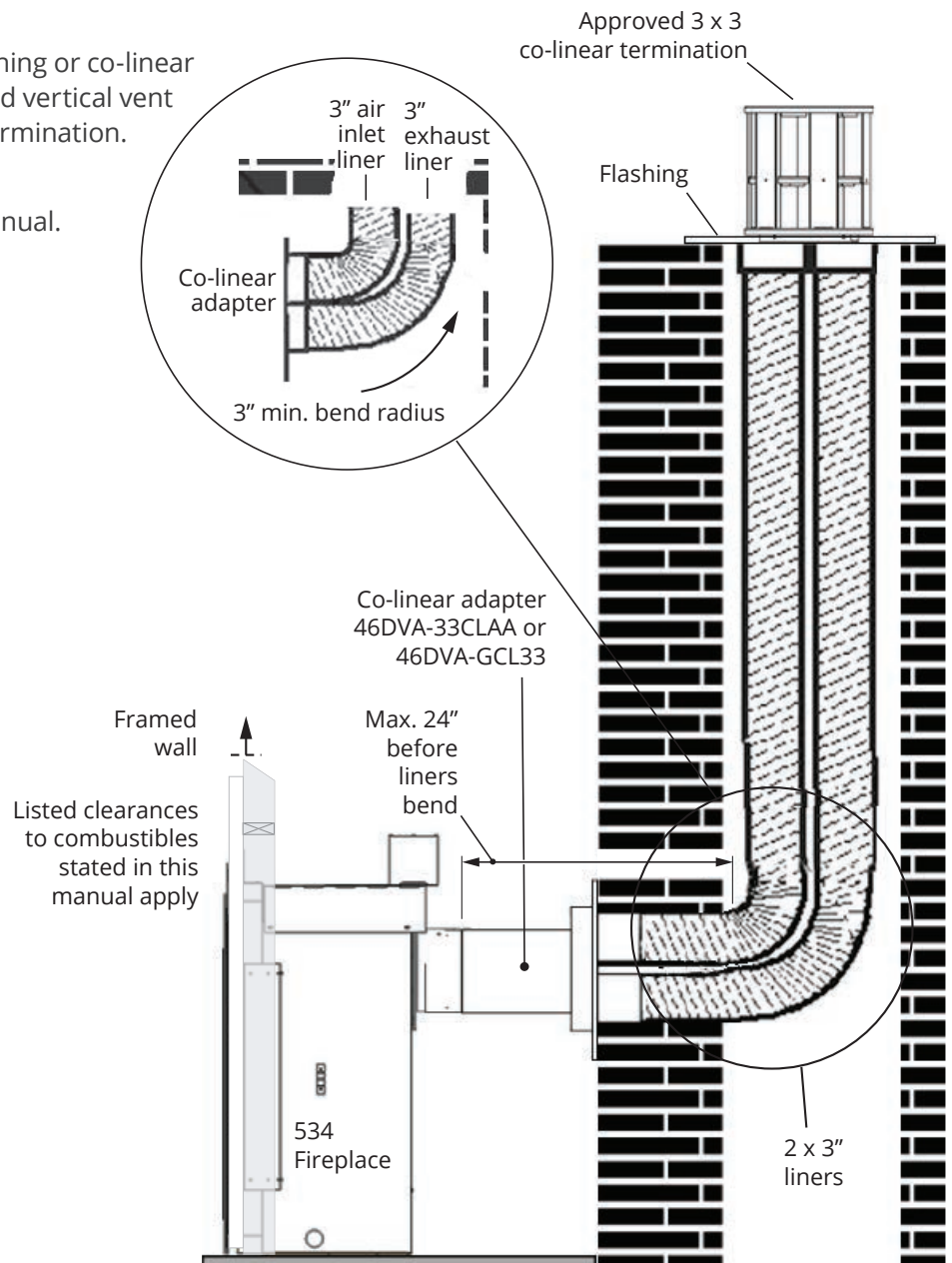
See *Restrictor Settings* page 24 of this manual.

NOTE

Standoffs are required to maintain clearances to combustibles for the part of the appliance outside a non-combustible cavity.

NOTE

This appliance must be completely framed and maintain clearances to combustibles as shown in this manual.



Venting

Co-Linear

Typical Co-Linear Venting Components

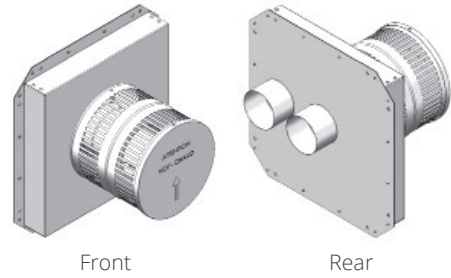
Co-axial to Co-linear Appliance Adapters



46DVA-GCL



46DVA-CLAA

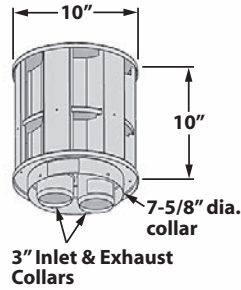


720SWK Sidewall Horizontal Terminal

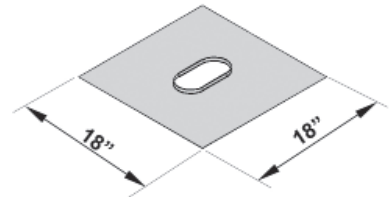
Co-linear Terminal Configurations



Co-linear Kits

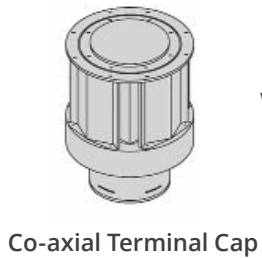


559CLT Co-linear Termination

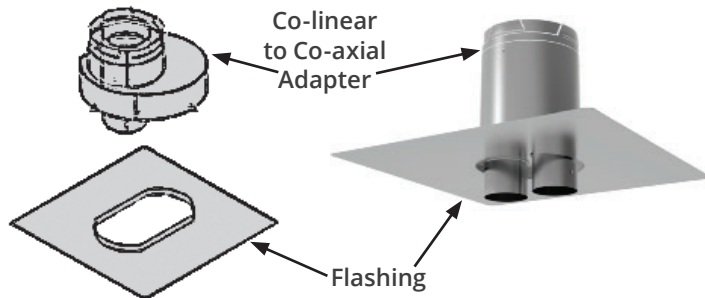


559FSK Flashing

Alternate Co-linear to Co-axial Conversion at Terminal



with...



Co-linear to Co-axial Adapter

Flashing

Venting

Co-Axial Flex with 590CFA & 590FVK2

Co-Axial Flex Into Existing Solid-Fuel Fireplace

The appliance can be adapted to flexible co-axial applications using an existing fireplace and cavity.

The appliance can be installed completely inserted into the non-combustible cavity as illustrated below.

In this case, the firebox zero clearance standoffs supplied with the heater are not required.

Required venting kits:

- Valor 590CFA Co-Axial Flex Adapter;
- Valor 590FVK2 Flex Vent Kit
- High wind vertical co-axial vent terminal cap or low profile co-axial vertical termination

Restrictors

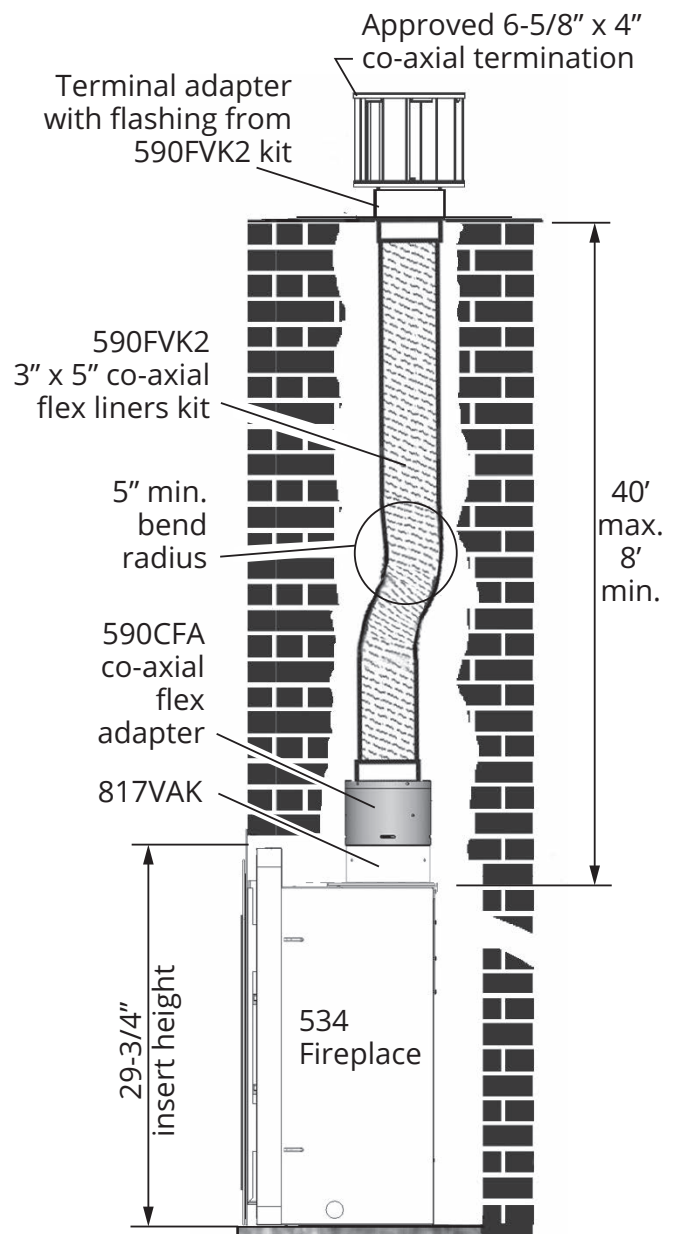
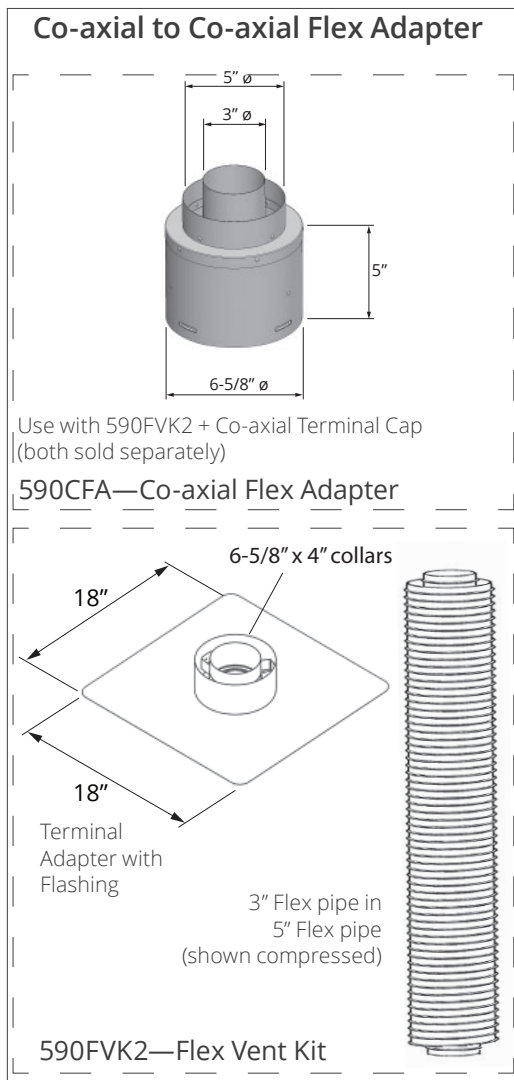
See *Restrictor Settings* page 24 of this manual.

NOTE

See 590CFA and 590FVK2 installation manuals for complete instructions.

NOTE

Flex liners must only be installed within a solid-fuel burning fireplace and chimney.



Venting

Co-Axial Flex with 590CFA & 590FVK2

Co-Axial Flex Into Adjacent Chimney

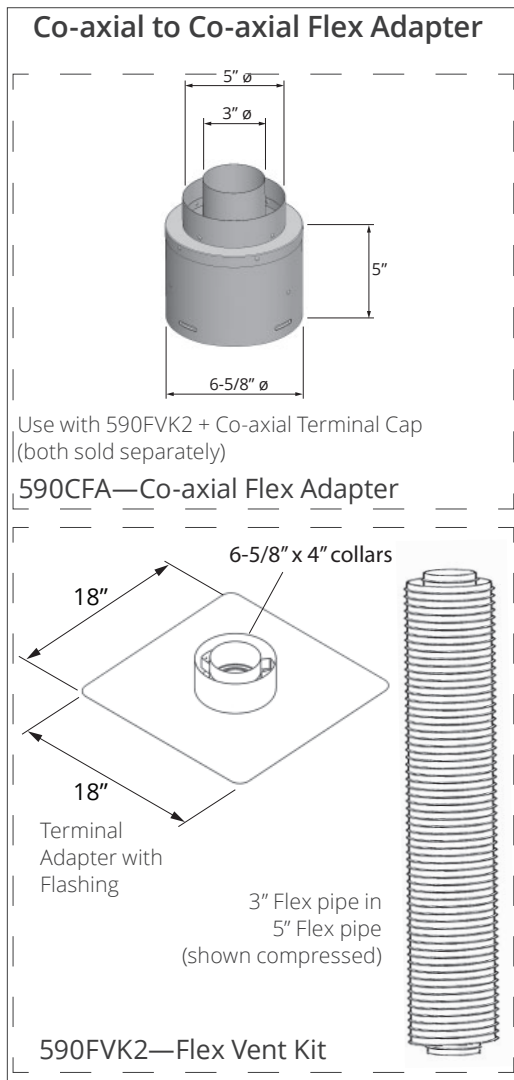
The appliance can be adapted to flexible co-axial applications using an existing fireplace and cavity. The appliance can be vented through an adjacent existing non-combustible chimney as illustrated below. In this case, the appliance must be completely framed and maintain clearances to combustibles.

Required venting kits:

- Valor 590CFA Co-Axial Flex Adapter;
- Valor 590FVK2 Flex Vent Kit
- High wind vertical co-axial vent terminal cap or low profile co-axial vertical termination

Restrictors

See *Restrictor Settings* page 24 of this manual.



NOTE

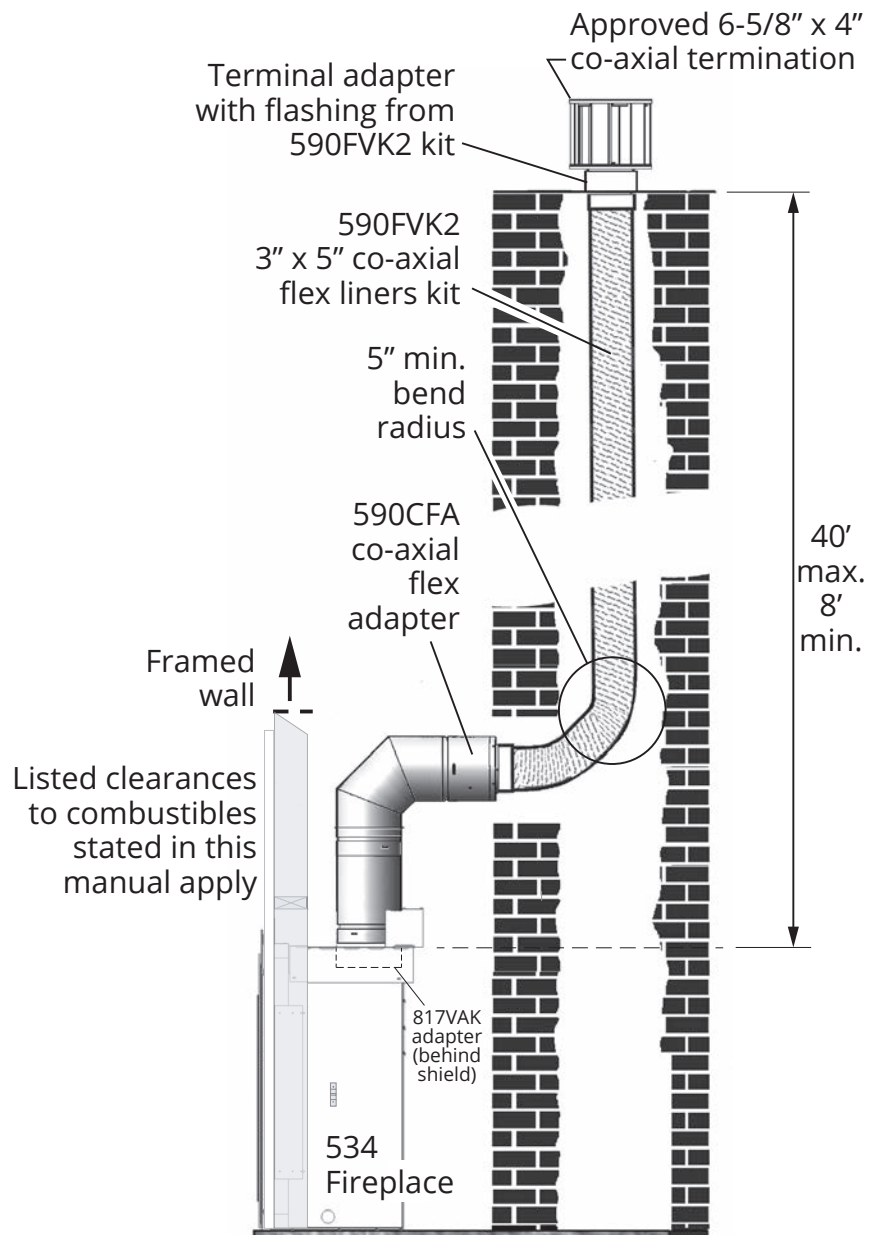
Flex liners must only be installed within a solid-fuel burning fireplace and chimney.

NOTE

This appliance must be completely framed and maintain clearances to combustibles as shown in this manual.

NOTE

See 590CFA and 590FVK2 installation manuals.



Appliance Preparation

Window & Vent Outlet

Remove Window

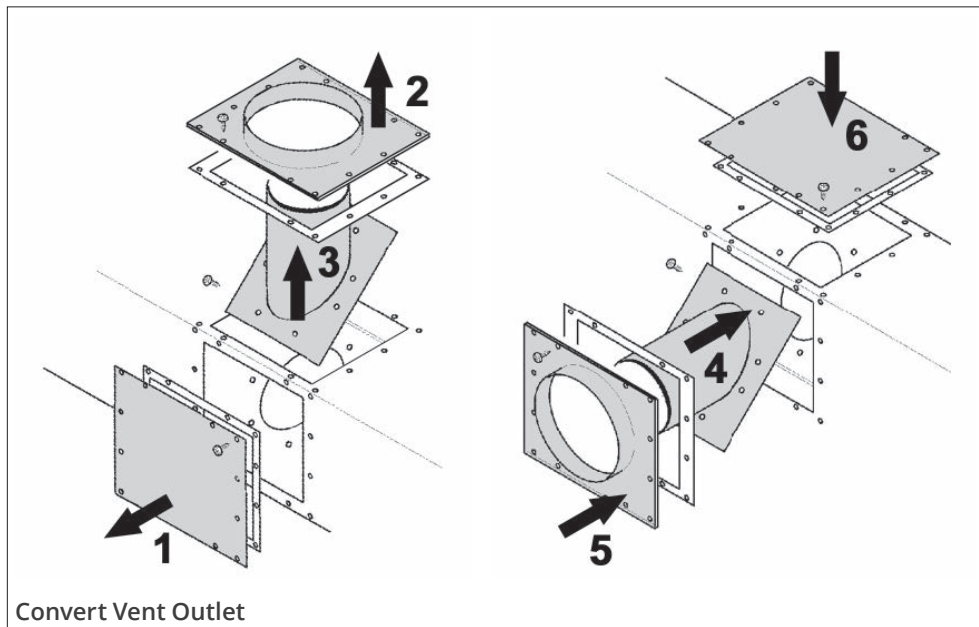
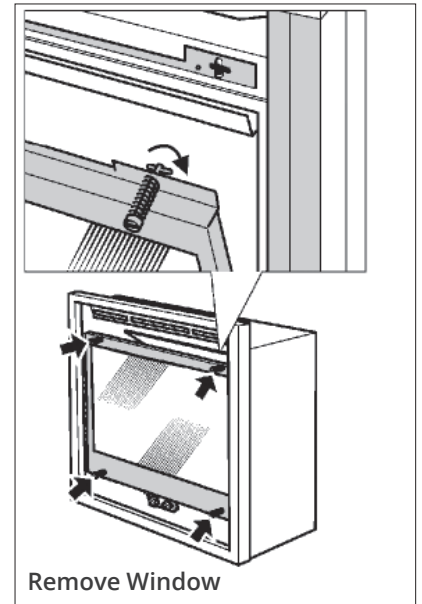
1. Turn the top two spring-loaded window bolts through 90 degrees to release the window from the firebox.
2. Remove the bottom two spring-loaded window bolts.
3. Carefully lift the window away. Keep the window and bolts in a safe place.

Convert to Rear Vent Outlet (if required)

If installing with top vent outlet, ignore this stage.

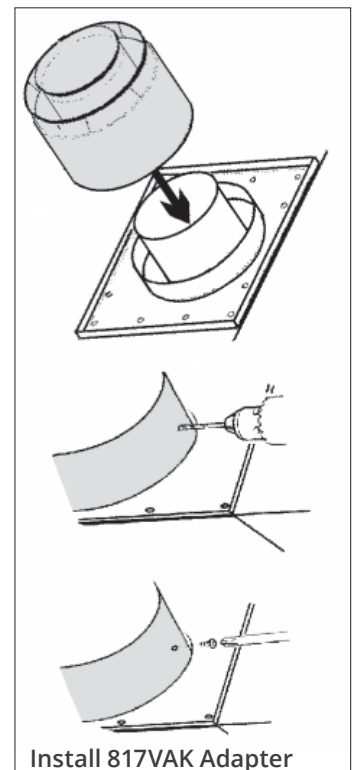
If installing co-linear venting, see instructions supplied with the co-linear adapter.

1. Remove the rear outlet cover plate and seal by unscrewing 12 screws. Keep the seal and plate for fitting to the top.
2. Remove the top outer vent collar and seal by unscrewing 12 screws.
3. Remove the top inner vent collar and seal by unscrewing 8 screws.
4. Locate the inner collar and seal inside the rear outlet opening. Secure the inner collar with 8 screws.
5. Fit the outer collar over inner collar. Loosely fit the 12 screws. Place the adapter 817VAK over the collars to check alignment. Tighten the 12 screws to secure the outer collar.
6. Fit the cover plate and seal (removed from the rear) to the top vent opening with 12 screws.



Install 817VAK Vent Adapter

1. Fit the adapter 817VAK supplied over the appliance vent collars pushing on firmly.
2. For rear vent outlet connection, align the adapter so that the seam on horizontal pipes is not at the bottom—check by temporarily fitting a pipe.
3. Drill through the adapter outer tube and appliance outer collar for no. 6 screws. *Make sure that the drill does not penetrate the inner tubes.*
4. Secure the adapter to the outer collar with two no. 6 thread-cutting screws supplied.

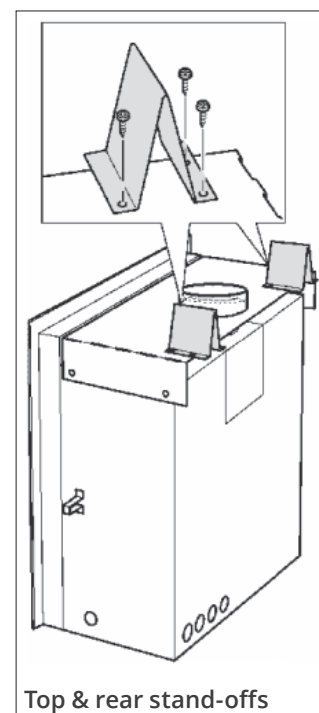
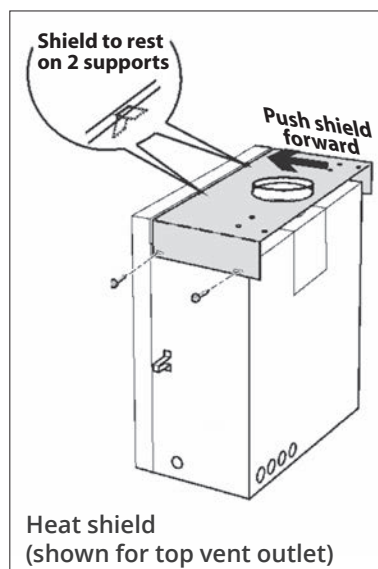


Appliance Preparation

Heat Shield & Stand-offs

Install Top Heat Shield & Stand-offs

1. If installing with rear vent outlet, the blanking plate, supplied loose with the appliance, **must be secured to the top heat shield** to cover the hole (4 screws).
2. Remove the screws at the top rear corner of the appliance's case sides.
3. If top vent outlet, locate the heat shield over the vent pipe adapter.
4. Support the front of the shield on the two angle supports.
5. Secure the shield to the case sides by refitting the two screws at the top rear corners and by two screws from the pack fitted near the front.
6. Bend the two top rear stand-offs and fit to the heat shield with three screws each.



NOTE

Zero clearance stand-offs and shield supplied with the appliance are not required for the co-linear applications when appliance is fully inserted into existing solid-fuel burning fireplace and chimney.

Install Top Support Angle (except with 663LSPW)*

*663LSPW has its own bracket and different wall finish requirements. See kit's installation manual for details.

The distance from the wall angles to the front face of the heater case is adjustable between 3/8 inch and 1-3/16 inch to allow for a range of wall finish material thickness (e.g. tile, etc.).

*NOTE: When adding optional fronts and trims, it is important to install heater flush or slightly recessed into the **finished** wall surface. For 663LSPW, see manual with the kit.*

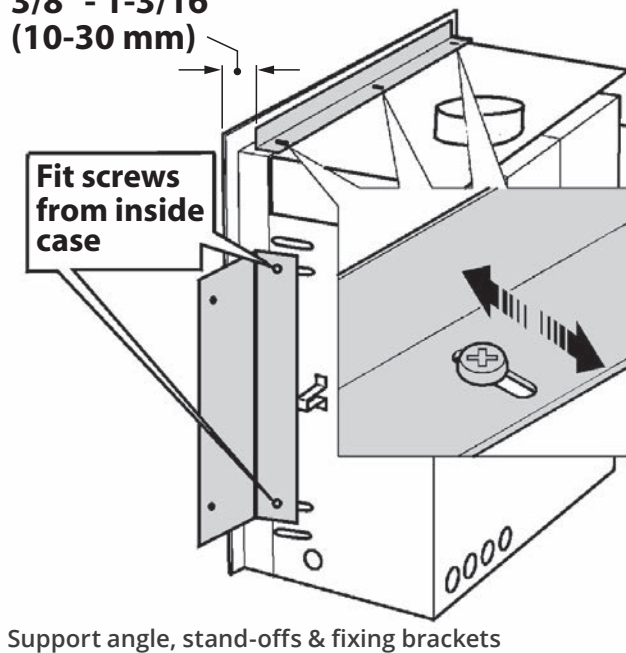
Secure the top angle support to the case top using 3 screws from the top of the black frame.

Install side stand-offs, side fixing brackets

1. Install the side stand-offs to the appliance with 2 screws each.
2. Install the two side fixing brackets with 2 screws each, securing from inside the appliance case.

Wall finish material thickness (tile, etc.)
3/8" - 1-3/16"
(10-30 mm)

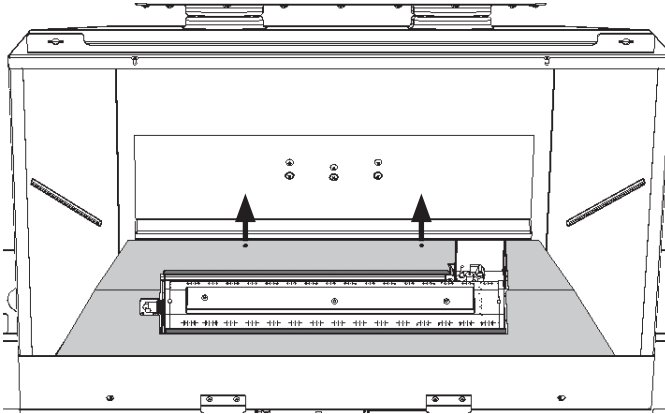
For 663LS, see kit's installation manuals



Install Restrictors

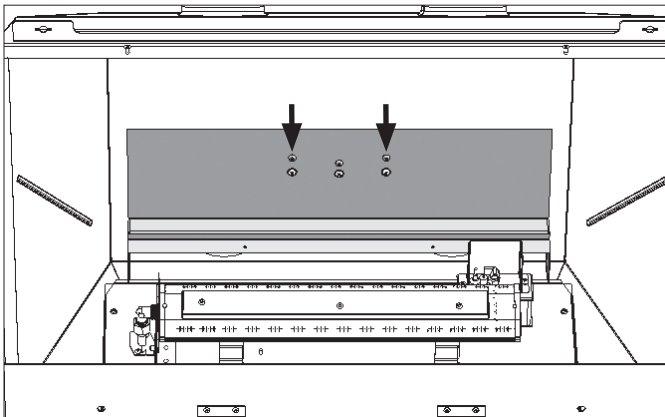
The position of restrictors depends on the vent configuration. See page 24 for restrictor setting.

1. Remove the burner cover (2 screws).



Remove burner cover

2. Remove the burner cover support to access to the rear orifices for restrictors installation (2 screws).



Remove cover support

3. Install restrictors as per settings on page 22.
4. Reinstall the platform support (3 screws).
5. Reinstall the burner cover (2 screws).

Installation

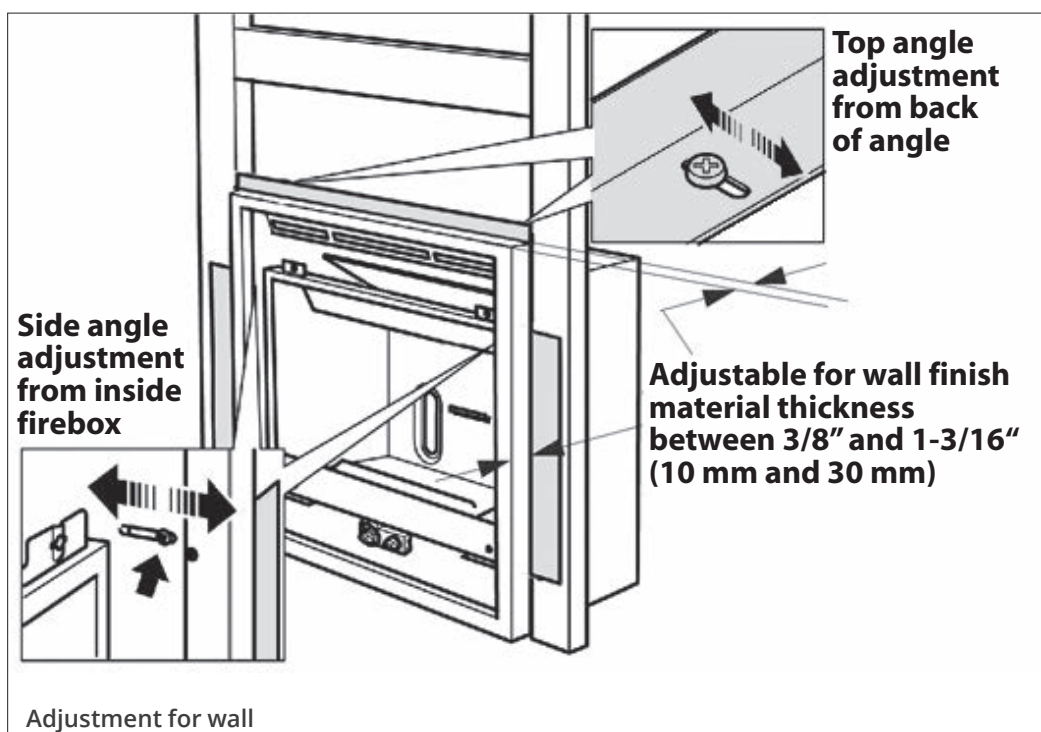
Appliance into Framing

Install Appliance Into Framing

1. Place the heater in position in the framing.
2. Secure the side support angles to the side studding through two holes each side with the woodscrews (not supplied). The top support angle should abut the wall finish but is not fixed to the framing.
3. Check the wall finish requirements with the homeowner. If necessary, adjust the position of the heater so that the distance from the front of the heater case to the angles is suitable for the thickness of the wall finish (e.g. tile, etc.).

NOTE

When adding front and trim, it is important to install heater flush or slightly recessed into the **finished** wall surface. See front/trim installation for more information.

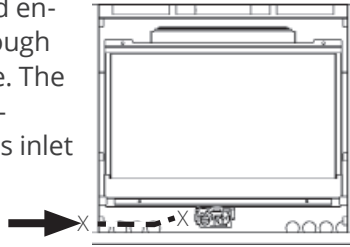


Installation

Gas Supply

Connect Gas Supply

The gas supply pipe should enter the appliance case through the opening at the left side. The supply pipe should be connected to the appliance gas inlet pipe located at the left side of the control valve. Supply line connection to the inlet pipe is 3/8" NPT female.



If the circulating fan is to be installed, be aware that the supply pipe run inside the case should be at the same height as the appliance inlet pipe in order to clear the fan. If intending to fit an internal isolating valve, check that it will be clear of the fan.

Use only new black iron or steel pipes, CSST, or copper tubing if acceptable—check local codes. **Note that in USA, copper tubing must be internally tinned for protection against sulfur compounds.**

Union in gas lines should be of ground joint type.

The gas supply line must be sized and installed to provide a supply of gas sufficient to meet the maximum demand of the appliance without undue loss of pressure.

Sealant used must be resistant to the action of all gas constituents including propane gas. Sealant should be applied lightly to male threads to ensure excess sealant does not enter gas lines.

The supply line should include a manual shut-off valve to allow the appliance to be disconnected for servicing. A plugged 1/8" NPT tapping must be installed in the line. The tapping must be accessible for test gauge connection and be immediately upstream of the gas supply connection to the appliance.

Pressure test the supply line for leaks.

The appliance and its individual shut-off valve must be disconnected from the gas supply piping system during any pressure testing of that system at test pressures in excess of 1/2 psig (3.5kPa).

The appliance must be isolated from the gas supply piping system by closing its individual manual shut-off valve during any pressure testing of the gas supply piping system at test pressures equal to or less than 1/2 psig (3.5kPa).

Failure to either disconnect or isolate the appliance during pressure testing may result in regulator or valve damage. Consult your dealer in this case.

The minimum supply pressure is given on page 6 of this manual.

All piping and connections must be tested for leaks after installation or servicing. All leaks must be corrected immediately.

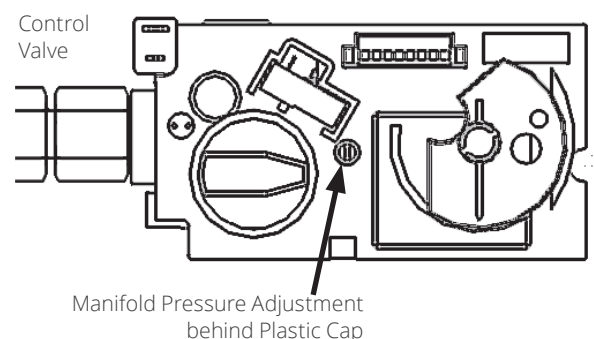
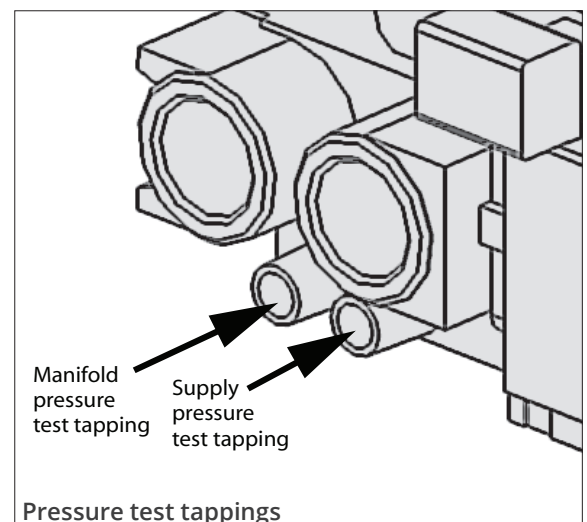
When testing for leaks:

- Make sure that the appliance is turned off.
- Open the manual shut-off valve.
- Test for leaks by applying a liquid detergent or soap solution to all joints. Bubbles forming indicate a gas leak.

WARNING

NEVER USE OPEN FLAME to check for leaks. Correct any leak detected immediately.

The pressure test tapping locations are shown below. A built-in non-adjustable regulator controls the burner manifold pressure. The correct pressure range is shown page 6 of this manual. The pressure check should be made with the burner alight and at its highest setting. See *Appendix A - Lighting Instructions Plate* page 53 for full operating details.



Installation

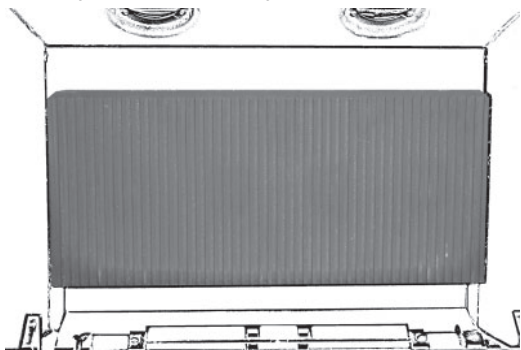
Liner Panels

Install Liner Panels

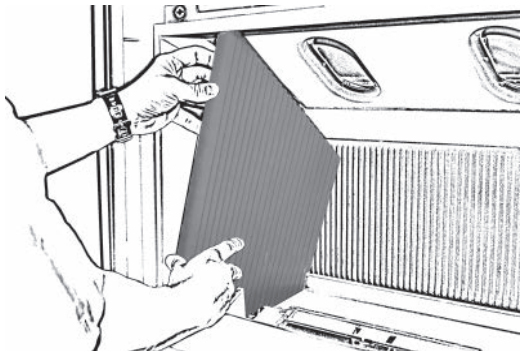
All liner panels can be installed as indicated below.

Unpack the liners carefully to avoid scratching or damaging them.

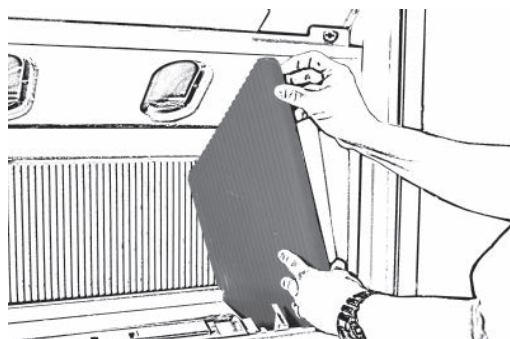
1. Place the rear panel against the back of the firebox on the ledge of the rear log support. Make sure the bevel part is at the top.



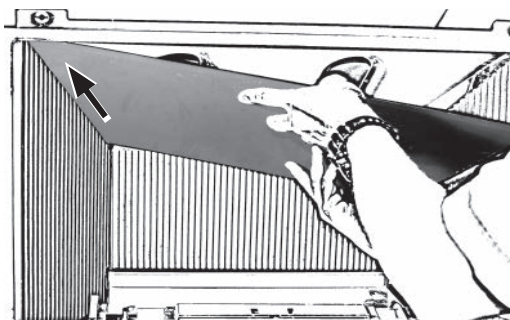
2. Hold the left hand side panel at an angle and insert its bottom edge inside the firebox. Rotate the panel to a vertical position ensuring that the top edge is behind the flange of the firebox. Pull the panel as forward as possible against the left edge of the firebox.



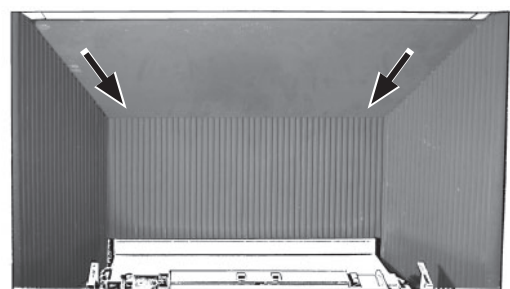
3. Hold the right hand side panel at an angle and insert its bottom edge inside the firebox. Rotate the panel to a vertical position ensuring that the top edge is behind the flange of the firebox. Pull the panel as forward as possible against the right edge of the firebox.



4. Insert the top panel over the left side panel while holding the top panel forward up the slope. Rotate the right side of the top panel upwards and place it over the top of the right panel.



Slide the top panel down the slope of the firebox as far as possible to close the gap with the rear panel and to maximize the gap above the front edge of the top panel.



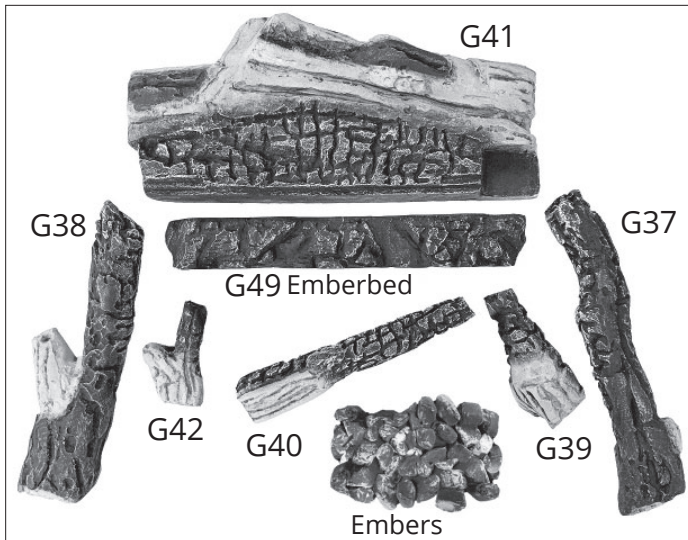
Installation

Fuel Beds

Traditional Log Set MF28VLSK

Material required

- Traditional Log Set containing:
 - 7 logs
 - Embers, bagged
- Gloves, if desired (not included)



Installation

Unpack the ceramic logs very carefully to avoid damaging their fragile material. Install the logs as shown below. **Please note that the position of the logs is critical to ensure the good performance of the appliance.**

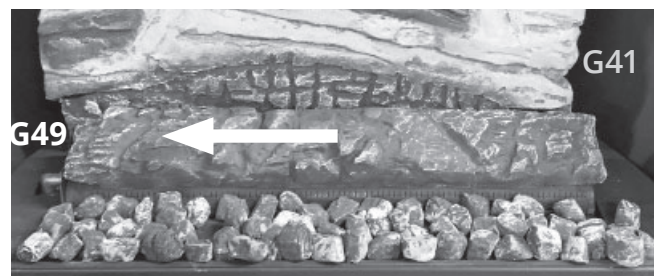
1. Place a single layer of embers in front of the burner leaving a space at each end. Add some embers on each side as shown..



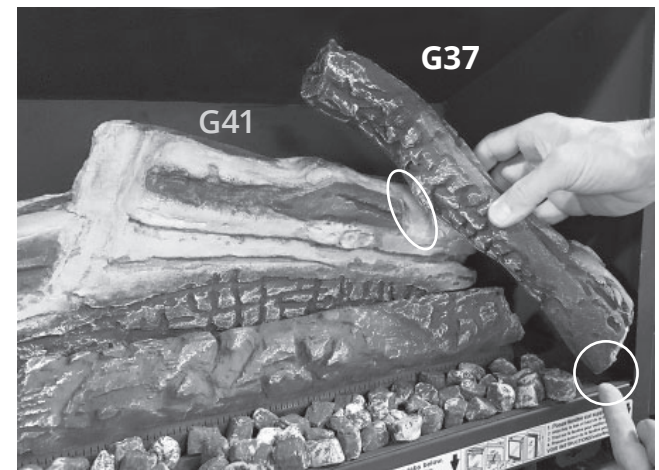
2. Place log G41 behind the burner and slide it to the right to rest against the pilot area.



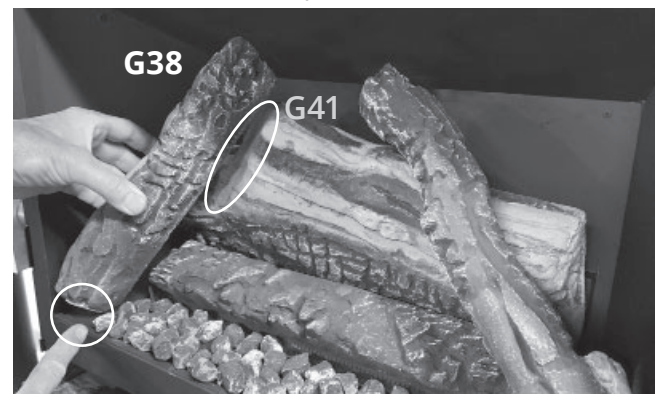
3. Place emberbed G49 directly on the burner, locating its underside groove on the vertical flange of the burner. Slide to the left.



4. Place G37, the flat part of its base on the platform, right of the embers, its top into the notch on G41.

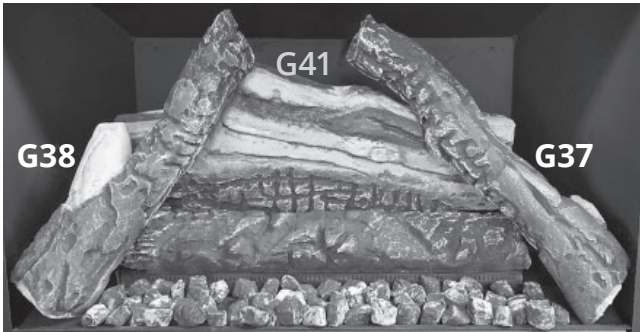


5. Place G38, the flat part of its base on the platform, left of the embers, its top into the notch on G41.



Installation

Fuel Beds



G37 and G38 installed

- Place G39, its wide end on the embers and narrow end in the notch on the emberbed G49.

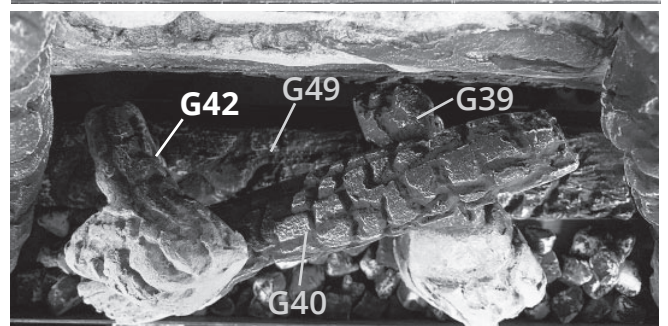
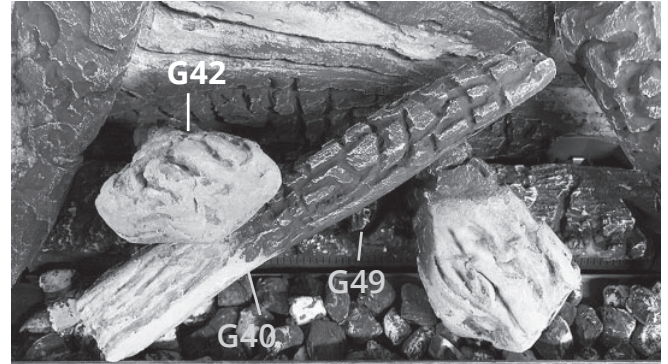


- Place G40, its wide end on the embers and its narrow end in the notch on top of G39.



- Place G42, its wide end on G40 and its narrow end on the emberbed G49.

NOTE that the G39, G40 and G42 small logs DO NOT TOUCH the rear log.

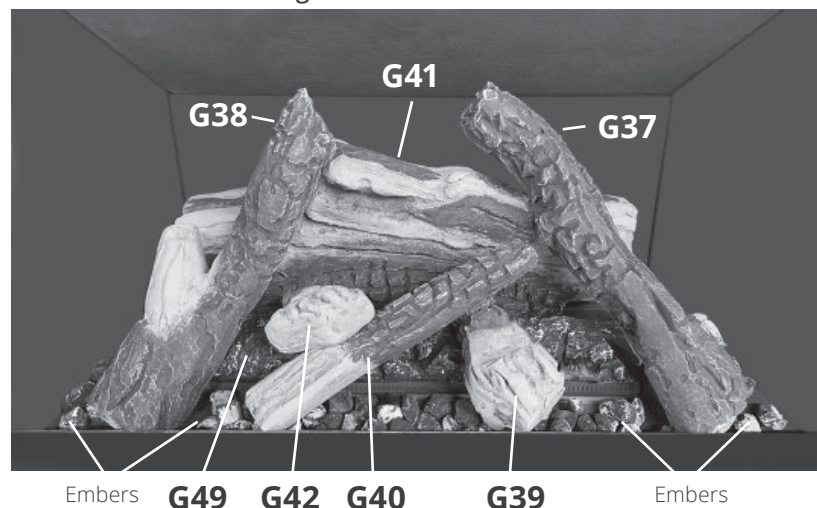


G39, G40, G42 installed, top view

NOTE that those 3 logs DO NOT TOUCH the rear log.

- If desired, some embers may be added on each side around the base of the G37 and G38 tall logs to cover the metal plate, as illustrated below.

MF28VLSK Traditional Logs installed



Installation

Fuel Beds

Driftwood Kit MF28VDWK

Material required

- Driftwood Kit containing:
 - 8 logs
 - 3 pebbles
- Gloves, if desired (not included)



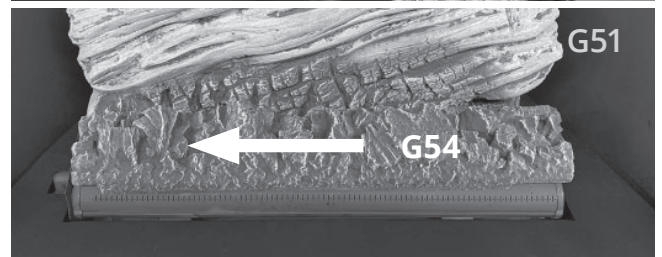
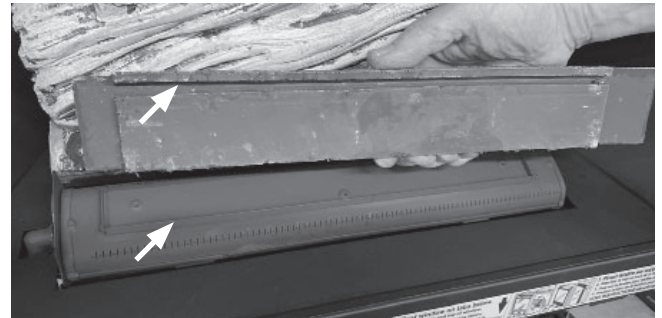
Installation

Unpack the ceramic logs very carefully to avoid damaging their fragile material. Install the logs as shown below. **Please note that the position of the logs is critical to ensure the good performance of the appliance.**

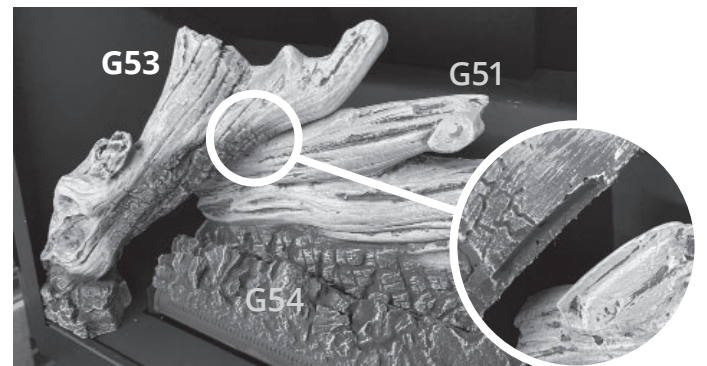
1. Place the log G51 behind the burner and slide it to the right to rest against the pilot area.



2. Place emberbed G54 directly on the burner, locating its underside groove on the vertical flange of the burner. Slide to the left.



3. Place log G53, its base first against the bottom of the firebox then locating its top on the key of G51.



4. Place log G57 butting it against G53's base in front of the burner, along the front edge of the firebox.



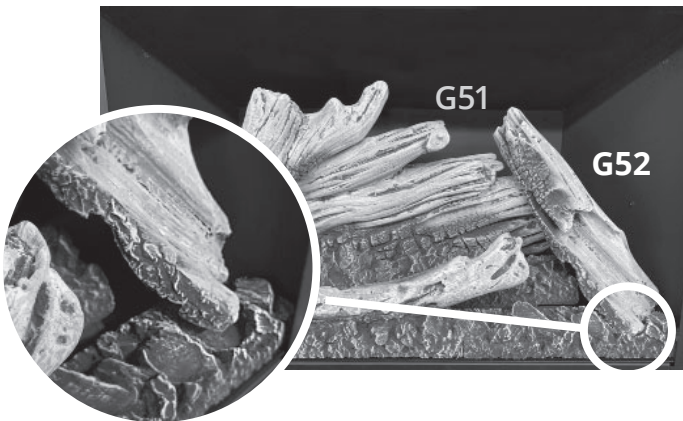
Installation

Fuel Beds

5. Place G56 butting it against G57's ember base with its groove on the edge of the firebox.



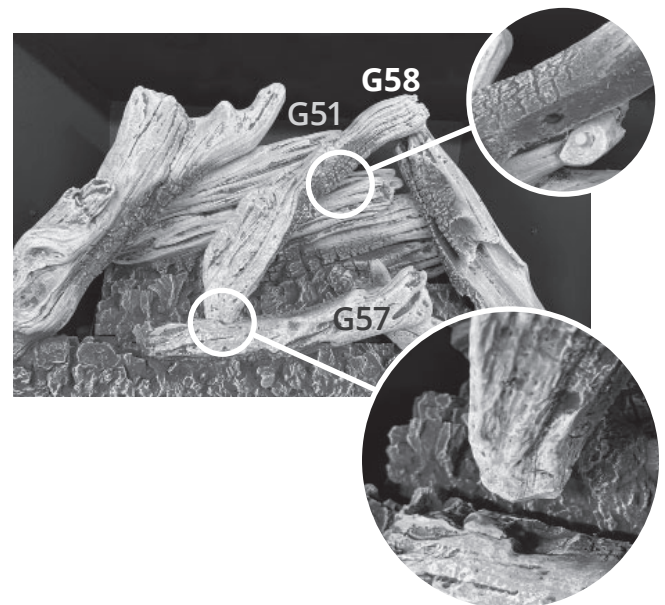
6. Set G52's base in the notch of G56 and place its top in the notch on G51.



7. Place G55 in the notch on the front ember base resting its 'Y' shape on the burner emberbed. Log G57 will cover part of G55.



8. Place G58's base in the notch on top of G57 and locate its hole at the other end on the peg of G51.



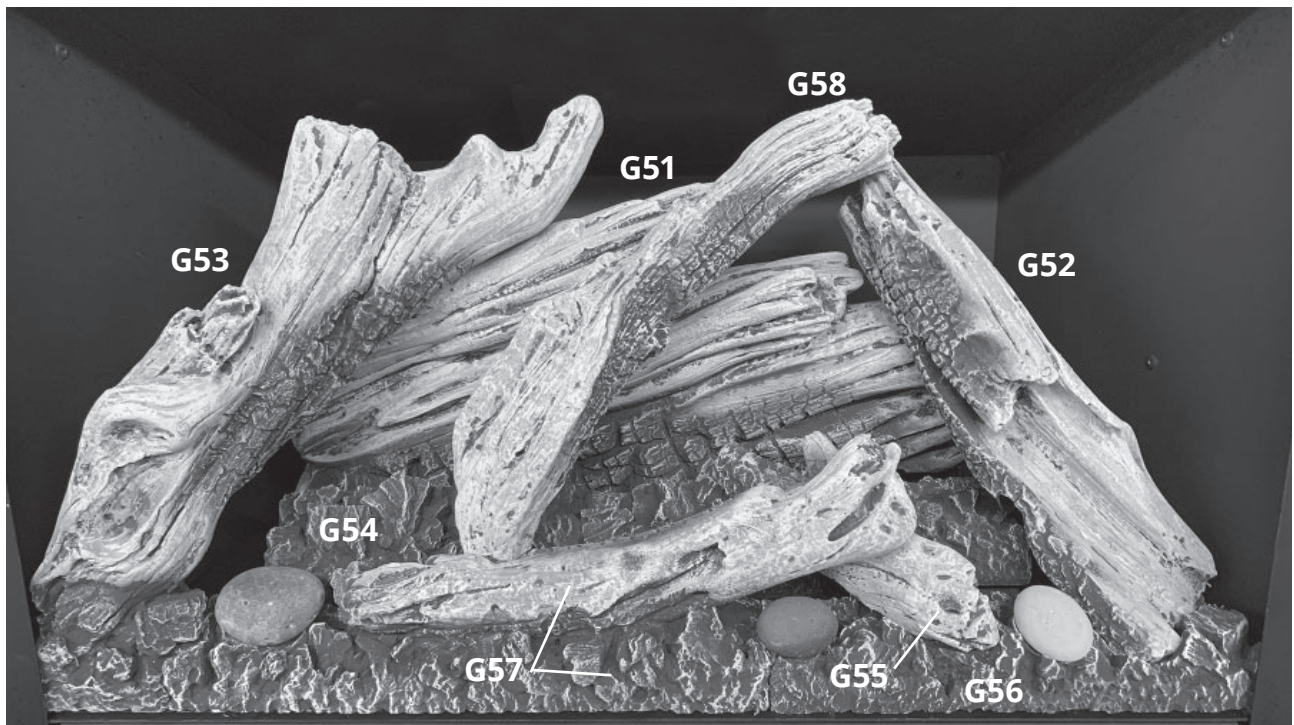
Installation

Fuel Beds

9. Place pebbles in notches on the front ember base as indicated.



MF28VDWK Driftwood Kit installed



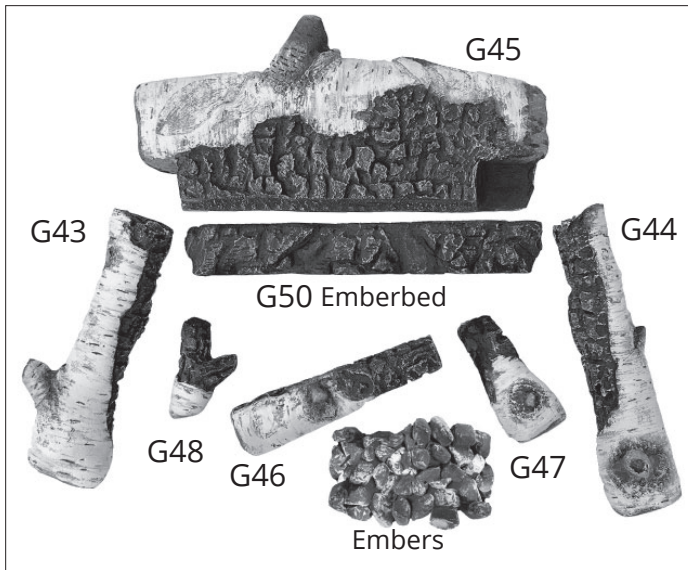
Installation

Fuel Beds

Birch Logs MF28VBLK

Material required

- Birch Logs Kit containing:
 - 7 logs
 - Embers, bagged
- Gloves, if desired (not included)



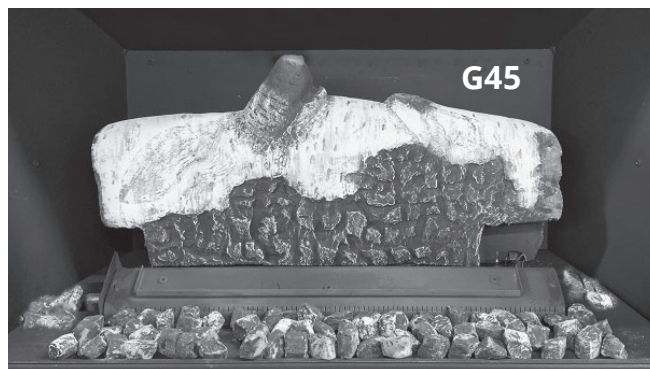
Installation

Unpack the kit carefully to avoid damaging the fragile pieces. Install the kit as shown below. Please note that the position of the logs is critical to ensure the good performance of the appliance.

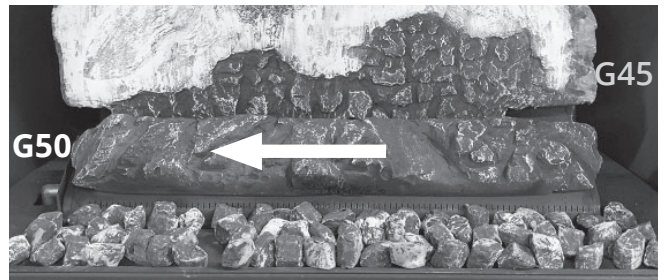
1. Place a single layer of embers in front of the burner leaving a space at each end as shown.



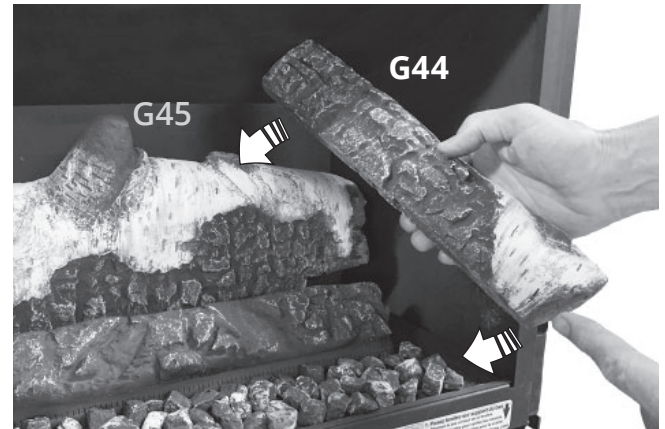
2. Place log G45 behind the burner and slide it to the right to rest against the pilot area.



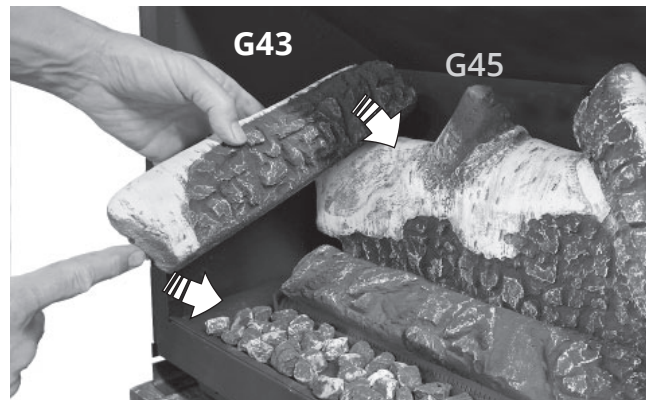
3. Place emberbed G50 directly on the burner, locating its underside groove on the vertical flange of the burner. Slide to the left.



4. Place G44, the flat part at its base on the platform, right of the embers, its top into the notch on G45.

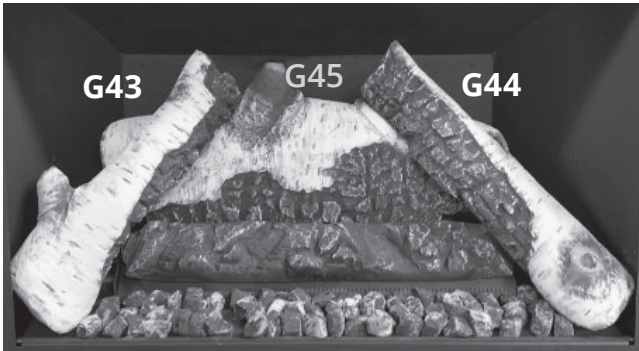


5. Place G43, the flat part at its base on the platform, left of the embers, its top into the notch on G45.



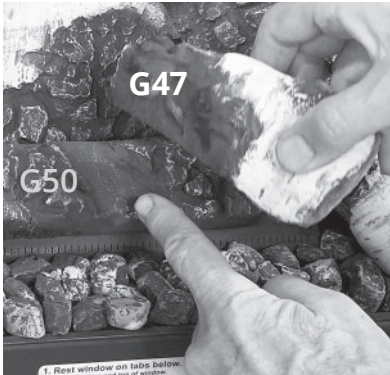
Installation

Fuel Beds



G43 and G44 installed

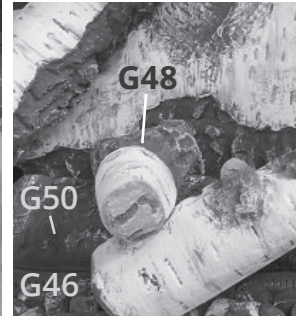
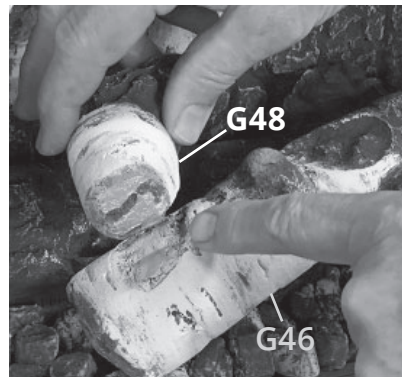
6. Place G47, its wide end on the embers and its narrow end on the emberbed G50.



7. Place G46, its wide end on the embers and its narrow end in the notch on top of G47.

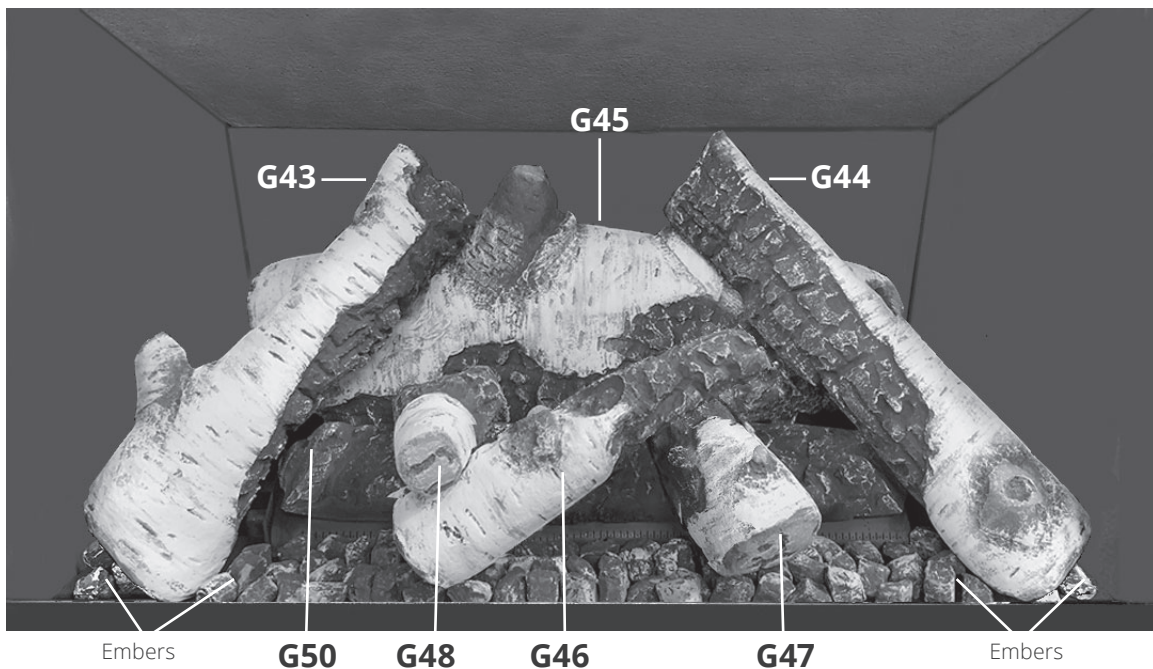


8. Place G48, its wide end on G46 and its narrow end on the emberbed G50.



9. If desired, some embers may be added on each side around the base of the G43 and G44 tall logs to cover the metal plate, as illustrated below.

MF28VBLK Birch Kit installed

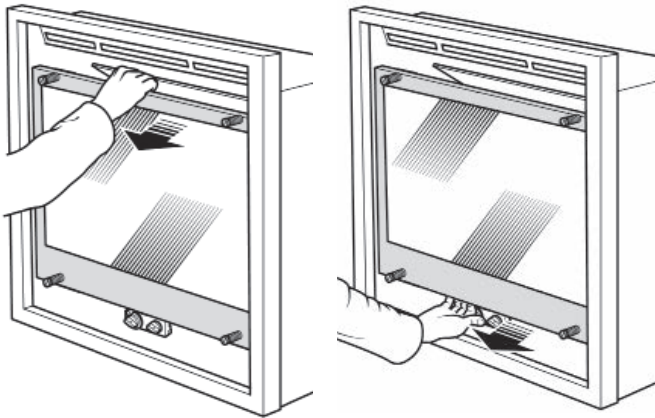


Installation

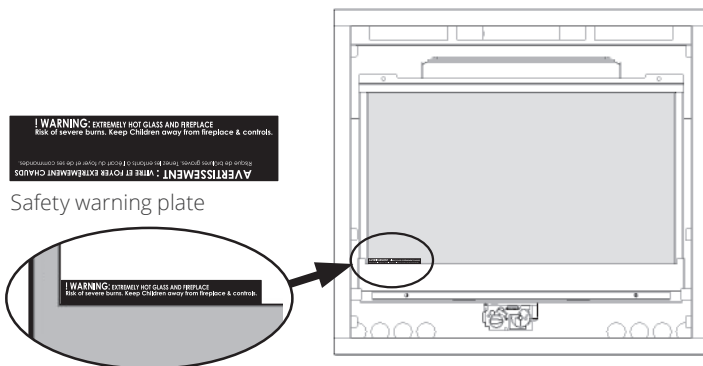
Refit & Check Window

Refit and Check Window

1. Place window over the firebox.
2. While holding it, push in and screw the bottom two bolts to secure them.
3. Insert the top two bolts pins into the slot/holes and turn them 90 degrees to secure them.
4. Pull the top of the window forward and release to check that it opens slightly and returns confirming the good function of the spring-loaded mechanism.



5. Similarly, check the bottom of the window by pulling it forward and releasing it.
6. Apply firm pressure around the window frame to ensure the window is sealed tight against the firebox.
7. If the Hot Glass Warning plate has been removed from the front lower corner of the window, re-install it by sliding it between the glass and the frame as indicated.



! WARNING

The window unit must be correctly installed, fastened and sealed after servicing or serious bodily injury and/or damage to the appliance may result.

To ensure a safe operation:

- Double-check that the window frame is correctly installed;
- Verify that the bolts and spring-loaded bolts are hooked properly to the window tabs then;
- Pull out the top of the window and release it to make sure the springs return it; repeat with the bottom of the window;
- Ensure the window is sealed before operation.

! WARNING

Failure to install the window correctly can:

- Leak carbon monoxide;
- Affect the performance of the fireplace;
- Damage components;
- Cause overheating resulting in dangerous conditions.

Damages caused by incorrect window installation is not covered by the Valor warranty.

Installation

Battery Holder

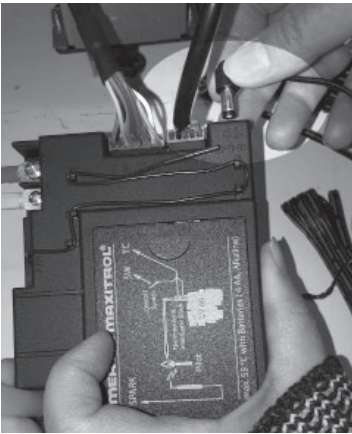
Install Battery Holder

The batteries that power the receiver and handset need to be installed prior to pairing and use.

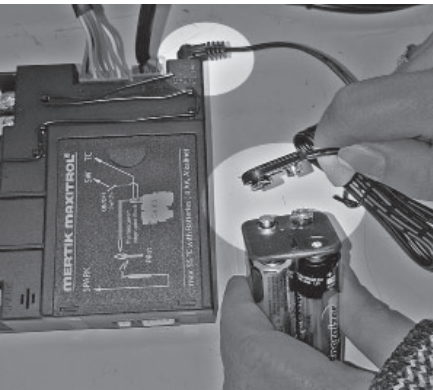
1. Take the receiver out from under the firebox.
2. Insert four 1.5 V high quality **alkaline** batteries in the battery holder and one high quality **alkaline** 9 V battery in the remote handset. The battery holder and cable are supplied with the appliance.



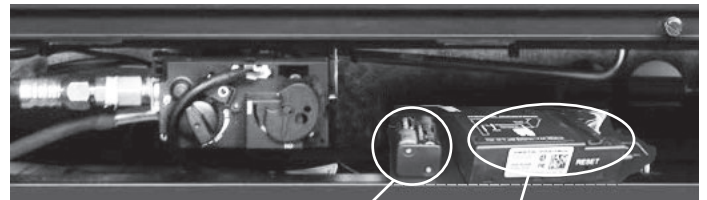
3. Connect the cable to the receiver as shown.



4. Connect the other end of the cable to the battery holder.



5. Place the receiver and battery holder as shown below (placement may vary with installed options).



Battery holder Receiver

6. Use a heat-resistant tie to gather any extra cable between the receiver and the holder.

Caution


DO NOT let the cable touch the burner plate above, it will melt during operation.

Installation

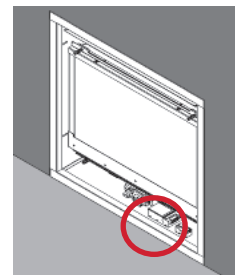
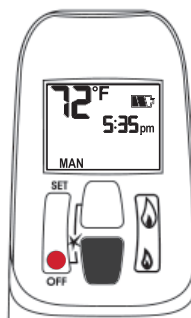
Remote Control Pairing

Synchronize Remote Control

The receiver and handset of the remote control system must be initially paired before the first use.

1. If not already done, place a 9 V **alkaline** battery in the handset.
2. Identify the RESET button on the front of the receiver.
3. With a thin object, press and hold the receiver's reset button until you hear one short and one long beeps. Release the button after the second beep.
4. Within the next 20 seconds, press the small flame button () on the handset until you hear two short beeps confirming the pairing is set.
If you hear a long beep, the pairing has not been done or the wires are not connected correctly.

This is a one time setting only and is not required when changing the batteries. The remote control system is now ready to use.



Installation

Burner aeration

Check Operation

Turn the fireplace flame up and down using the remote control to confirm that the full range of inputs is achieved—see *Appendix B – Remote Control Operation* pages 54–57 for details.

Adjust Aeration (if needed)

Light the fire and allow the unit to warm up for 10–15 minutes to evaluate the flame picture. Burners are equipped with an adjustable shutter to control primary aeration. See figures below. The shutter is factory-set to an aeration gap which will give optimum performance for the vast majority of installations.

In some installations, depending of the fuel bed used, the altitude and other considerations, the flame picture may be improved by adjusting the aeration. The need for adjustment should be determined only by operating the appliance with the fuel bed and window installed and evaluating the flame picture after a 15-minute warm-up.

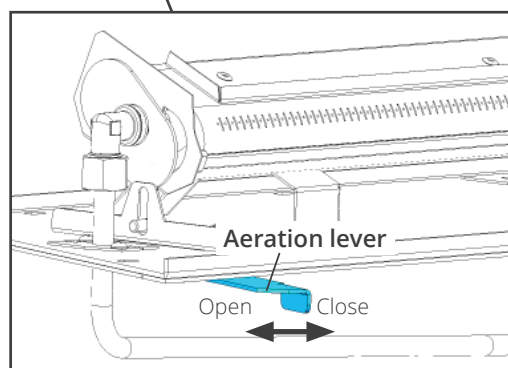
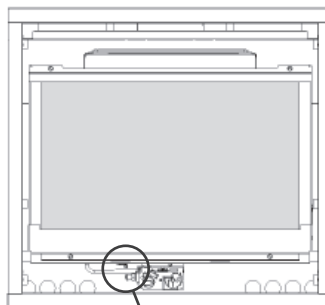
Increasing aeration (open) will cause the flames to appear more transparent and blue showing more ceramic effects glow.

Decreasing aeration (close) will cause flames to appear more yellow or orange showing less ceramic effects glow.

Too little aeration may result in black carbon forming on the logs or roof panel and dropping into the firebox. May also result in carbon or soot stains on the vent termination and exterior wall around the termination! The Manufacturer is not responsible for any damage caused by an air shutter setting with too little aeration.

The aeration lever is located under the firebox above the gas pipe.

To access it, remove the barrier screen, front or bottom panel and adjust it according to the image below.



Install Front, Trim and Barrier Screen

Install the front and trim chosen by the customer for their fireplace. Install as well the barrier screen which is provided with the front or trim.

Show the customer how to access the controls when the front or trim are installed and how to remove them.

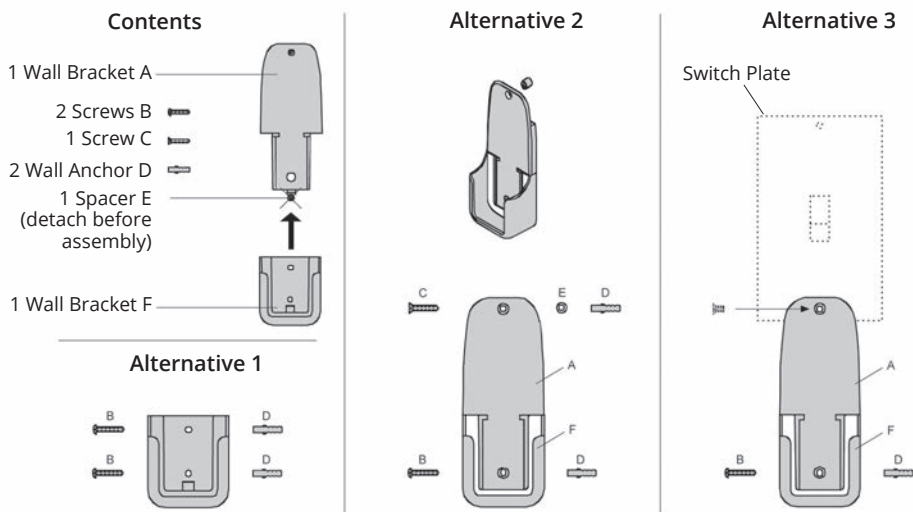
Follow the instructions provided with the front or trim and leave those instructions behind for the customer's further reference.

Install Handset Wall Holder

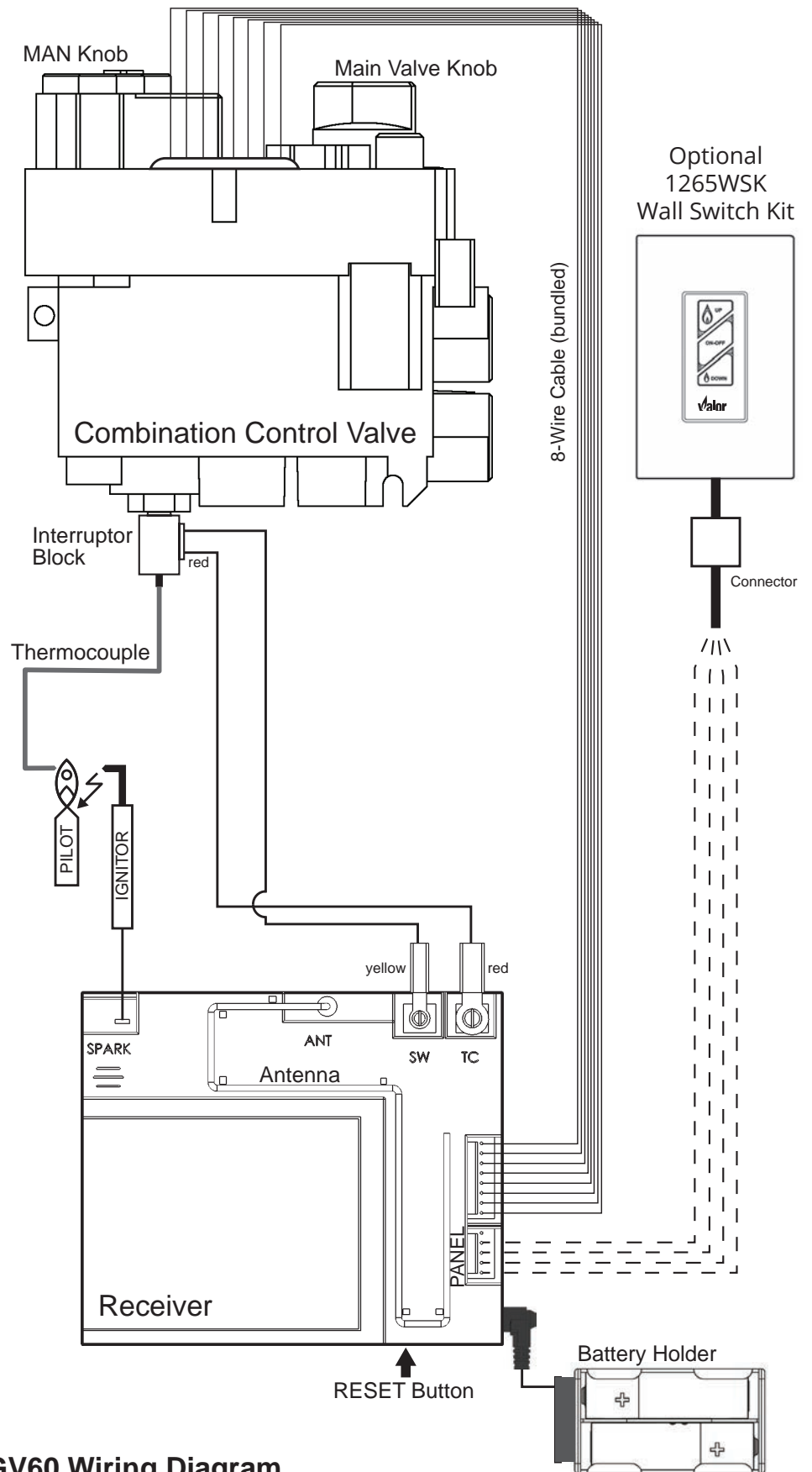
The remote control kit for this fireplace comes complete with a wall-mounted holder. This holder is not required in all installations but is provided as an optional feature for those customers who wish to mount the remote handset to the wall.

To install the holder to the wall, find a convenient location and use the hardware provided with the kit. See the diagram below for required hardware and configurations. Note that the holder can be installed at the base of a light switch plate.

IMPORTANT. The location of the remote control handset is important to insure proper temperature regulation. To obtain a constant temperature, we recommend that the handset should be between 3 and 15 feet away from the appliance but not directly above it. We also advise that the handset should be located away from any other heat source and not in direct sunlight as this may affect the temperature sensor located in the remote handset.



Wiring Diagram



⚠ WARNING
NO ELECTRICAL CONNECTION ALLOWED for any outdoor installation!

GV60 Wiring Diagram

Commonwealth of Massachusetts

State of Massachusetts Carbon Monoxide Detector/Vent Terminal Signage Requirements

For all side wall horizontally vented gas fueled equipment installed in every dwelling, building or structure used in whole or in part for residential purposes, including those owned or operated by the Commonwealth and where the side wall exhaust vent termination is less than seven (7) feet above finished grade in the area of the venting, including but not limited to decks and porches, the following requirements shall be satisfied:

1. **INSTALLATION OF CARBON MONOXIDE DETECTORS.** At the time of installation of the side wall horizontal vented gas fueled equipment, the installing plumber or gas fitter shall observe that a hard wired carbon monoxide detector with an alarm and battery back-up is installed on the floor level where the gas equipment is to be installed. In addition, the installing plumber or gas fitter shall observe that a battery operated or hard wired carbon monoxide detector with an alarm is installed on each additional level of the dwelling, building or structure served by the side wall horizontal vented gas fueled equipment. It shall be the responsibility of the property owner to secure the services of qualified licensed professionals for the installation of hard wired carbon monoxide detectors.

a. In the event that the side wall horizontally vented gas fueled equipment is installed in a crawl space or an attic, the hard wired carbon monoxide detector with alarm and battery back-up may be installed on the next adjacent floor level.

b. In the event that the requirements of this subdivision can not be met at the time of completion of installation, the owner shall have a period of thirty (30) days to comply with the above requirements; provided, however, that during said thirty (30) day period, a battery operated carbon monoxide detector with an alarm shall be installed.

2. **APPROVED CARBON MONOXIDE DETECTORS.** Each carbon monoxide detector as required in accordance with the above provisions shall comply with NFPA 720 and be ANSI/UL 2034 listed and IAS certified.

3. **SIGNAGE.** A metal or plastic identification plate shall be permanently mounted to the exterior of the building at a minimum height of eight (8) feet above grade directly in line with the exhaust vent terminal for the horizontally vented gas fueled heating appliance or equipment. The sign shall read, in print size no less than one-half (1/2) inch in size, "GAS VENT DIRECTLY BELOW. KEEP CLEAR OF ALL OBSTRUCTIONS".

4. **INSPECTION.** The state or local gas inspector of the side wall horizontally vented gas fueled equipment shall not approve the installation unless, upon inspection, the inspector observes carbon monoxide detectors and signage installed in accordance with the provisions of 248 CMR 5.08(2)(a)1 through 4.

(b) **EXEMPTIONS:** The following equipment is exempt from 248 CMR 5.08(2)(a)1 through 4:

1. The equipment listed in Chapter 10 entitled "Equipment Not Required To Be Vented" in the most current edition of NFPA 54 as adopted by the Board; and

2. Product Approved side wall horizontally vented gas fueled equipment installed in a room or structure separate from the dwelling, building or structure used in whole or in part for residential purposes.

(c) **MANUFACTURER REQUIREMENTS - GAS EQUIPMENT VENTING SYSTEM PROVIDED.** When the manufacturer of Product Approved side wall horizontally vented gas equipment provides a venting system design or venting system components with the equipment, the instructions provided by the manufacturer for installation of the equipment and the venting system shall include:

1. Detailed instructions for the installation of the venting system design or the venting system components; and

2. A complete parts list for the venting system design or venting system.

(d) **MANUFACTURER REQUIREMENTS - GAS EQUIPMENT VENTING SYSTEM NOT PROVIDED.** When the manufacturer of a Product Approved side wall horizontally vented gas fueled equipment does not provide the parts for venting the flue gases, but identifies "special venting systems", the following requirements shall be satisfied by the manufacturer:

1. The referenced "special venting system" instructions shall be included with the appliance or equipment installation instructions; and

2. The "special venting systems" shall be Product Approved by the Board, and the instructions for that system shall include a parts list and detailed installation instructions.

(e) A copy of all installation instructions for all Product Approved side wall horizontally vented gas fueled equipment, all venting instructions, all parts lists for venting instructions, and/or all venting design instructions shall remain with the appliance or equipment at the completion of the installation.

Appendix A – Lighting Instructions Plate

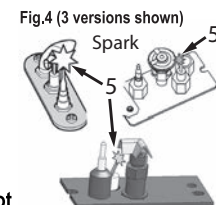
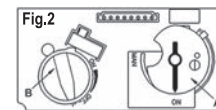
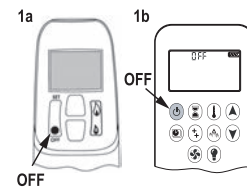
FOR YOUR SAFETY, READ BEFORE LIGHTING

WARNING: If you do not follow these instructions exactly a fire or explosion may result causing property damage, personal injury or loss of life.

- A. This appliance has a pilot which must be lighted by hand or by remote control. Follow these instructions exactly. To save gas, turn the pilot off when not using the appliance for a prolonged period of time.
- B. **BEFORE LIGHTING**, smell all around the appliance area for gas. Be sure to smell next to the floor because some gas are heavier than air and will settle on the floor.
- WHAT TO DO IF YOU SMELL GAS**
- Do not try to light any appliance.
 - Do not touch any electric switch; do not use any phone in your building.
 - Immediately call your gas supplier from a neighbor's phone. Follow the gas supplier's instructions.
 - If you cannot reach your gas supplier, call the fire department.
- C. Do not use this appliance if any part has been under water. Immediately call a qualified service technician to inspect the appliance and to replace any part of the control system and any gas control, which has been under water.
- D. Use only your hand to push in or turn the control knobs. Never use tools. If the knobs will not push in or turn by hand, don't try to repair them; call a qualified service technician. Force or attempted repair may result in a fire or explosion.

OPERATING INSTRUCTIONS

1. **STOP!** Read the safety information above.
2. This appliance is equipped with an on-demand pilot that shuts off after 7 days of inactivity.
3. **TO CLEAR ANY GAS**, turn main valve off by momentarily pressing OFF button (●) (1a) or (⏻) button (1b) on remote control handset.
 - Wait five (5) minutes to clear out any gas, then smell for gas, including near the floor. If you smell gas, **STOP!** Follow "B" in the safety information above on this label. If you don't smell gas, go to the next step.
4. **AUTOMATIC IGNITION: MAN-knob in ON position (Fig. 2, A).** (Ensure gas control knob is set to OFF (full clockwise ⤵)(Fig. 2, B). Locate the pilot inside firebox (Fig. 4).
 - On the remote control handset, press and hold simultaneously the OFF (●) and large flame (🔥) buttons (1a) OR, press and hold (⏻) button (1b); a short acoustic signal confirms the start has begun.
 - Further short acoustic signals indicate the ignition process is in progress.
 - When the pilot is lit, the gas control knob (Fig. 2, B) will automatically rotate to the highest setting. Press the small flame button (🔥) (1a) or down arrow (⏴) (1b) on the remote to reduce flames.
5. **MANUAL IGNITION: MAN-knob in MAN position (Fig. 3, A).**
 - With the window off, locate the pilot inside firebox (Fig. 4).
 - Set gas control knob to OFF (full clockwise ⤵) (Fig. 3, B).
 - Push down the manual pilot plunger with a small screwdriver or similar instrument (Fig. 3, C); this will establish the pilot gas flow.
 - Light gas at the pilot with a match (Fig. 4, 5).
 - Continue holding down manual pilot plunger for about 10 seconds (Fig. 3, C); after release, pilot should remain lit.
 - If the pilot will not stay lit after several tries, turn the gas control knob to OFF (full clockwise ⤵) (Fig. 3, B) and call your local service technician or gas supplier.
 - Once the pilot is lit, reinstall the window and set the MAN-knob to ON (full counter-clockwise ⤴)(Fig. 2, A); turn gas control knob up (⤴) or down(⤵) manually (Fig. 2, B) or use the flame buttons (🔥) (🔥) (1a) or arrow buttons (⏴) (⏴) (1b) on the remote control handset to adjust the flame height.



TO TURN OFF GAS TO APPLIANCE

AUTOMATIC SHUT-OFF (using the remote control handset):

Press and hold the small 🔥 button (1a) or ⏴ button (1b) to shut-off the main burner gas flow.

Momentarily press the "OFF" ● button (1a) or ⏻ button (1b) on remote handset to shut-off the appliance, including pilot flame.

DO NOT REMOVE FROM FIREPLACE

4009565-01

Appendix B – Remote Control Operation

Radio Frequency

315 MHz for USA and Canada.

This device complies with Part 15 of the FCC Rules and with Industry Canada license-exempt RSS standard(s). Operation is subject to the following two conditions:

- (1) this device may not cause harmful interference, and
- (2) this device must accept any interference received, including interference that may cause undesired operation.

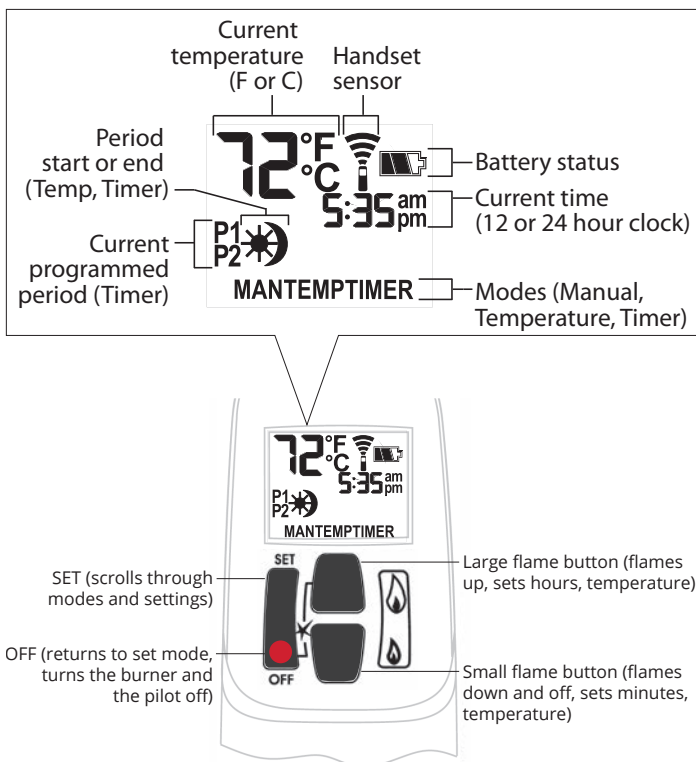
NOTE: Before using the remote control system for the first time, the receiver and the handset must be synchronized. See the section *Synchronize Remote Control* on page 48 of this manual.

IMPORTANT: BEFORE YOU BEGIN, please note that on this system, the settings of time, temperature and automatic ON/OFF **can only be programmed when the function display is flashing.** Be patient when programming as it can take a few seconds to set.

Note: In the TEMP or TIMER modes, the remote handset senses the room temperature and adjusts the flame accordingly.

To communicate, the handset should be within 15 feet (4.5 meters) of the fireplace.

Do not leave the handset on the mantel or hearth.

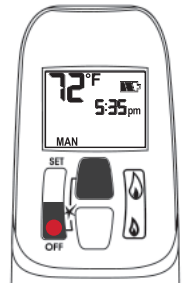


Turn Fireplace ON

Press ● + 🔥 buttons until you hear a short beep; release buttons.

Beeping continues until pilot is lit.

Burner lights to maximum flame height and handset goes automatically to manual (MAN) mode.



NOTES:

On the valve, MAN button must be at ON, in full counter-clockwise position ↺.

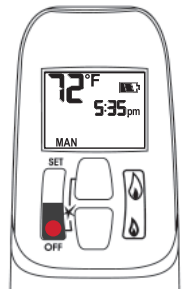
Turn Fireplace OFF

Press ● button.

When pilot is just turned off, wait 2 minutes to light it again.

Standby Mode (Pilot Flame)

Press and hold 🔥 to set fireplace to pilot.

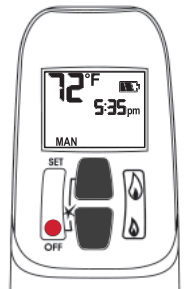


Adjust Flames Height

With pilot lit, press and hold buttons:

- 🔥 = increase flame height
- 🔥 = decrease flame height or set to pilot

For fine adjustment, tap buttons.

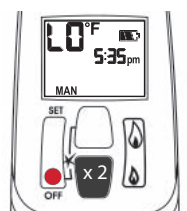
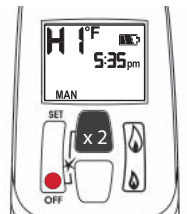


Express Low and High Fire

Double-click buttons:

- 🔥 = increase flame to maximum height "HI"
- 🔥 = decrease flame minimum height "LO"

NOTE: Flame goes to high fire first before going to designated low fire.

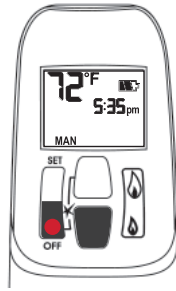


Appendix B – Remote Control Operation

Setting °C/24-hr or °F/12-hr clock

In MAN mode, press and hold ● + 🔥 buttons until temperature / clock display changes from

°F / 12-hour ↔ °C / 24-hour



Setting Time

The time display will flash after either:

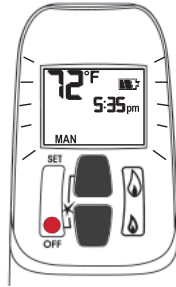
- installing the battery, or
- pressing 🔥 + 🔥

To set the time, press buttons:

🔥 = hour

🔥 = minutes

Press ● briefly or wait to go back to MAN.

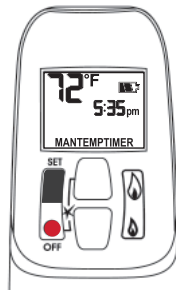


Modes of Operation

Briefly pressing SET cycles through modes of operation.

MAN > ⚡TEMP > 🌙TEMP > TIMER > MAN

NOTE: Press 🔥 or 🔥 to reach MAN mode.



MAN Manual Mode

Manual flame height adjustment.



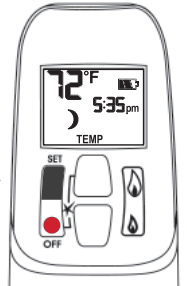
⚡TEMP Daytime Temperature Mode

When pilot is lit, room temperature is measured and compared to set temperature. Flame height automatically adjusts to reach Daytime Set Temperature.



🌙TEMP Night time Setback Temperature Mode

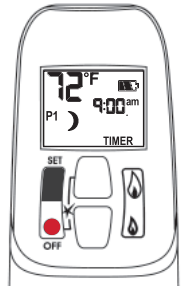
When pilot is lit, room temperature is measured and compared to set temperature. Flame height automatically adjusts to reach Night Time Setback Temperature.



TIMER Timer Mode

When pilot is lit, two periods of time (P1 and P2) can be programmed to use Daytime and Night time temperatures at specific times.

Note: Display shows set temperature every 30 seconds.



Set the different parameters when they are flashing.

Appendix B – Remote Control Operation

Setting high / low Temperatures

Setting “DAYTIME” high temperature.

Default Settings: TEMP 23 °C/74 °F

Press SET to scroll to TEMP

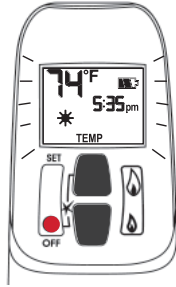
Hold SET button until TEMP flashes.

To set Daytime Temperature:

= increases temperature.

= decreases temperature.

Press briefly or wait to complete setting.



Setting “NIGHT TIME SETBACK” low temperature.

Default Settings: TEMP “-” (OFF)

Press SET to scroll to TEMP

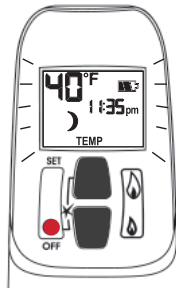
Hold SET button until TEMP flashes.

To set Night Time Temperature:

= increases temperature.

= decreases temperature.

Press briefly or wait to complete setting.



Setting Program Timers

You can program two periods of time between 12 am and 11:50 pm in each 24-hour cycle.

Programs P1 and P2 must be set in the following order during a 24-hour cycle: **P1** , **P1** , **P2** and **P2** .

= Day Time temperature (high) program period

= Night Time temperature (low) program period

Default Settings:

Program 1: **P1** 06:00 am **P1** 08:00 am

Program 2: **P2** 11:50 pm **P2** 11:50 pm

Press SET to scroll to .



If **P1** = **P1** or **P2** = **P2** , programming is cancelled.

To keep fireplace ON all night, set **P2** at 11:50 am and **P1** at 12:00 am.

If you want to program only one period, program **P1** and **P1** with desired times then **P2** and **P2** with the same time as **P1** .

Setting P1 time—high temperature.

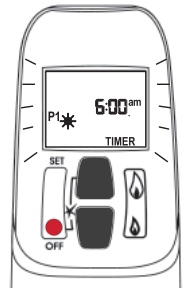
Hold SET button until **P1** is displayed and time flashes.

To set time:

= hour

= minutes

Press briefly or wait to complete setting.



Setting P1 time—low temperature.

Hold SET button until **P1** is displayed and time flashes.

To set time:

= hour

= minutes

Press briefly or wait to complete setting.

Appendix B – Remote Control Operation

Setting P2 high and low temperature times.

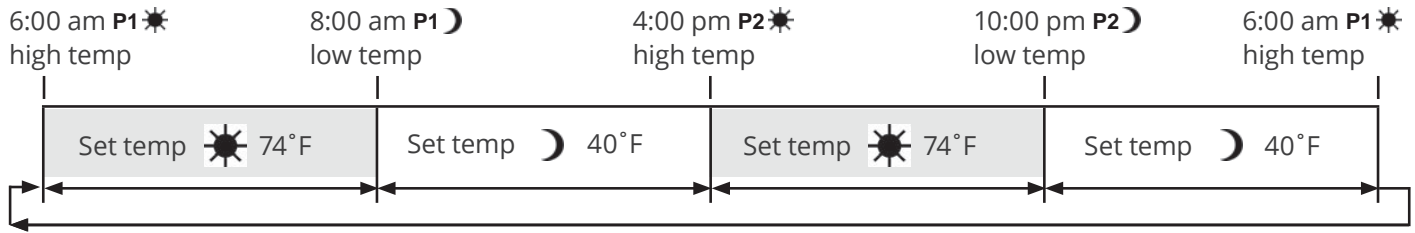
Repeat same steps as Setting P1.

When all settings are complete, press ● to save them.



The pilot has to be lit for the system to respond to the program Temp or Timer settings.

Timer Programming Example (default temperatures shown)



Automatic Turn Down

8-Hour no Motor Movement

The valve will turn to pilot flame if there is no motor movement for an 8-hour period.

Automatic Shut-Off

Low Batteries Receiver. With low battery power in the battery holder the system shuts off the fire completely. This does not apply when the power supply is interrupted.

On-Demand Pilot (7 Day Shut-Off). This green feature eliminates gas energy consumption during extended appliance inactivity. When the appliance is inactive for an extended period of time the system automatically extinguishes the pilot. This feature helps the consumer realize cost benefits by automatically eliminating energy consumption during non-heating months and limited use.

The programmed length of inactivity to activate the system is specified by the appliance manufacturer and cannot be altered in the field.

Low Battery Indication



Caution

DO NOT USE a screwdriver or other metallic object to remove batteries from holder. This could cause a short-circuit.

Handset: The battery icon  will show when the battery needs to be replaced. Replace with one 9 V **alkaline** battery.

Battery holder: Frequent 'beeps' for 3 seconds when the valve motor turns indicate the batteries need to be replaced in battery holder. Replace with four 1.5 V **alkaline** batteries.

Handset / Receiver Match

The remote control handset and receiver are programmed to function together. In case of a replacement of the handset or the receiver, you will need to reset the receiver to allow them to function together. Contact your dealer for details.

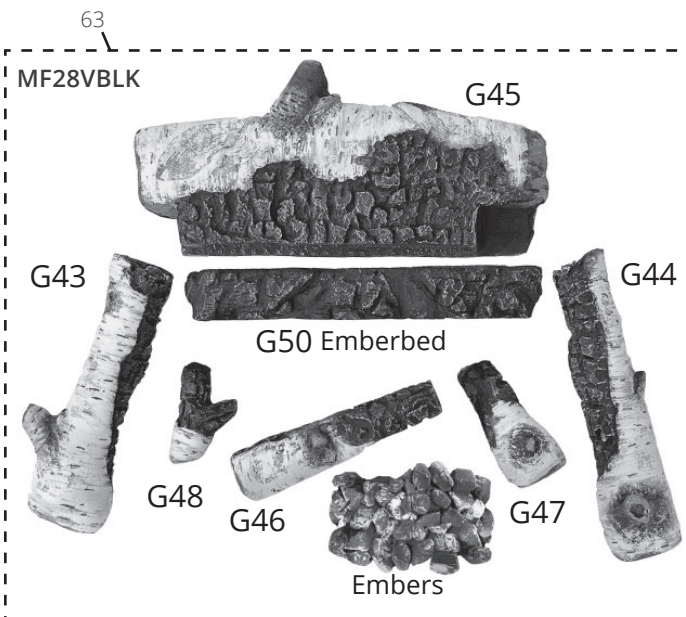
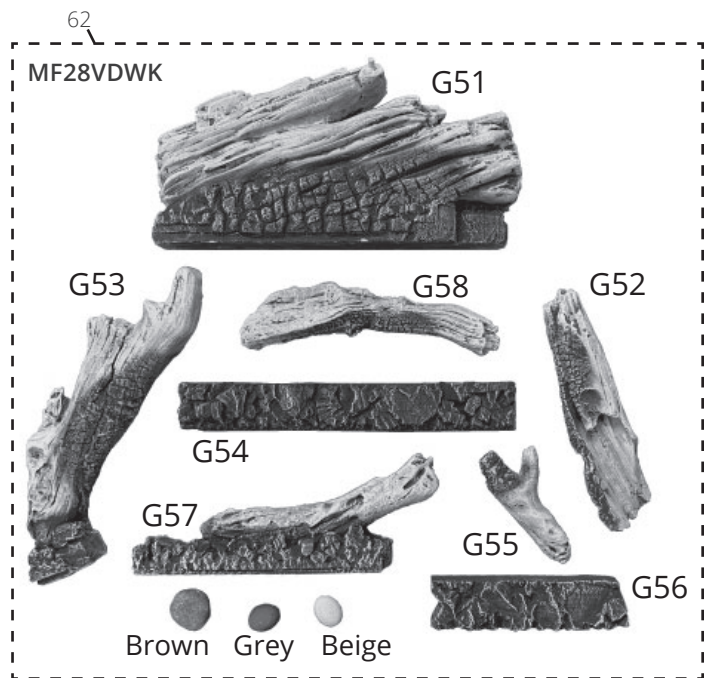
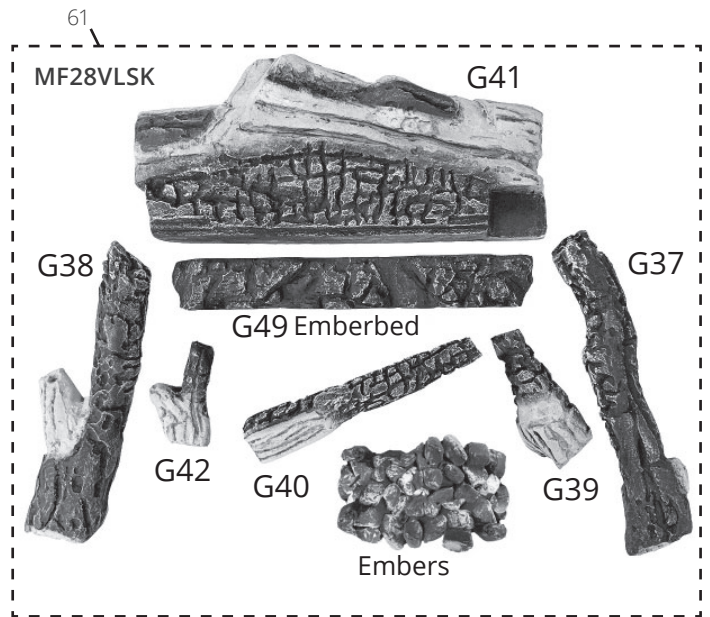
Appendix C – Spare Parts

	Description	Part no.
1	Top heat shield blanking plate	330A964
2	Top stand-offs (2)	3000192
3	Secondary heat panel	350A008
4	Top frame support angle bracket (spacing bracket)	3000181
5	Outer vent collar	330A888
5a	4 x 6-5/8" Vent Adapter	817VAK
6	Vent cover plate	330A902
7	Side frame fixing brackets (2)	3000255
8	Side stand-offs brackets (2)	320B423
9	Convection heat baffle	340B308AZ
10	Burner cover support	4012080
11	Burner cover	4012073
12	Window assembly	3000389S
13	Window screw assembly (2)	000B214S
14	Hot Glass Warning Plate	4003093
15	Restrictor plates (2)	4002895
16	Adjustable plates (2)	4002896
	Screws (2) (not shown)	100A757
17	Burner module (natural gas)	4011912
	Burner module (propane gas)	4011913
19	Orifice elbow #42 (natural gas)	4012458
	Orifice elbow #54 (propane gas)	4012459
20	Steel flat washer 0.37 inch	4007461
21	Spring tension washer 10 mm double wave	4007460
22	Air shutter Ver. H (natural gas)	4011918
	Air shutter (propane gas)	4012402
23	Anti-flashback shield	4007629
24	Burner dual ports P2	4007354
25	Burner mounts (2)	4012083
26	Pilot shield	4010812
27	PSE Pilot assy 36" (natural gas)	4008484
	PSE Pilot assy 36" (propane gas)	4008485
28	Pilot injector PSE-730 (natural gas)	4008493
	Pilot injector PSE-727 (propane gas)	4008494
29	Thermocouple	4008490
30	Pilot tube	4008486
	Electrode: included with no. 27	
	Ignition wire: included with no. 27	
31	Pilot gaskets (2)	4000715
32	Pilot stand	4007551
33	Burner module plate	4012049
34	Gaskets—module plate sides (2)	3000399
35	Gaskets—module plate front & back	3000400
36	Link bracket	4011915
37	Pipe sealing plates (2)	4011394

	Description	Part no.
38	Aeration lever	4008698
39	Fender washers #10 * 3/4 zinc finish (3)	4006692
40	Spring washers 3/16 x 9/16 (3)	4006691
41	#10-24 zinc finish steel reverse nut (3)	4007890
42	Valve mounting bracket	4002885
43	Pipe—valve to injector elbow	4012147
44	Thermocurrent interruptor	4001037
45	GV60 Valve, no connectors	4000873
45a	Inlet connector	4000746
45b	Straight connector	220K891
45c	By-pass screw #175 (natural gas)	4007532
	By-pass screw #125 (propane gas)	incl. with #45
47	Cable interruptor, red	4001035
48	Cable interruptor, yellow	4002096
49	Wiring harness	4001187
50	Receiver 'PLUS'	4001911
51	Handset G6R H3T5-ZV (BJ)	4001910
52	Handset wall holder	9000008
53	Auxiliary battery holder	4006553
54	Battery holder cable 1500 mm	4006552
55	GV60 Repair Valve Kit (not included)	4004544
56	Liner panels—complete set	
	Ceramic fluted black	620FBL
	Valor red brick	621VRL
57	Rear panel	
	Ceramic fluted black	4002109
	Valor red brick	4002105
58	Left side panel	
	Ceramic fluted black	4002107
	Valor red brick	4002103
59	Right side panel	
	Ceramic fluted black	4002108
	Valor red brick	4002104
60	Top panel	
	Ceramic plain black	4002110
	Valor red brick	4002106
61	Traditional Log set complete	MF28VLSK
	Traditional logs only	4009674
	Traditional Log #G41	4009587
	Traditional Log #G37	4009583
	Traditional Log #G38	4009584
	Traditional Log #G42	4009588
	Traditional Log #G40	4009585
	Traditional Log #G39	4009586

Appendix C – Spare Parts

	Description	Part no.
	Forge Embers, 2.5 cup bag	4008304
	Traditional Center Ember G49	4009597
62	Driftwood Kit	MF28VDWK
	Driftwood Rear #G51	4009599
	Driftwood Left #G53	4009601
	Driftwood Right #G52	4009600
	Driftwood Twig Center #G57	4009605
	Driftwood Log Mid #G58	4009615
	Driftwood Twig Right #G55	4009603
	Driftwood Ember Bed #G54	4009602
	Driftwood Front Ember Bed #G56	4009604
	Brown Beach Pebble	4003082
	Small Grey Beach Pebble	4003086
	Small Beige Beach Pebble	4003087
63	Birch Logs Kit	MF28VBLK
	Birch logs only	4009675
	Birch Log #G45	4009593
	Birch Log #G43	4009590
	Birch Log #G44	4009589
	Birch Log #G48	4009596
	Birch Log #G46	4009594
	Birch Log #G47	4009595
	Forge Embers, 2.5 cup bag	4008304
	Birch Center Ember G50	4009598



Appendix C – Spare Parts

